



**TECHNICAL SUPPORT DOCUMENT**

**Air Discharge Permit 25-3679  
Air Discharge Permit Application CL-3278**

**Issued: January 2, 2025**

**Boondox Market**

**SWCAA ID – 2814**

Prepared By: Clint Lamoreaux  
Air Quality Engineer  
Southwest Clean Air Agency

## TABLE OF CONTENTS

1. FACILITY IDENTIFICATION .....	1
2. FACILITY DESCRIPTION .....	1
3. CURRENT PERMITTING ACTION.....	1
4. PROCESS DESCRIPTION .....	1
5. EQUIPMENT/ACTIVITY IDENTIFICATION .....	1
6. EMISSIONS DETERMINATION .....	2
7. REGULATIONS AND EMISSION STANDARDS .....	4
8. RACT/BACT/BART/LAER/PSD/CAM DETERMINATIONS.....	7
9. AMBIENT IMPACT ANALYSIS .....	8
10. DISCUSSION OF APPROVAL CONDITIONS .....	8
11. START-UP AND SHUTDOWN/ALTERNATIVE OPERATING SCENARIOS/POLLUTION PREVENTION.....	9
12. EMISSION MONITORING AND TESTING.....	9
13. FACILITY HISTORY .....	10
14. PUBLIC INVOLVEMENT OPPORTUNITY .....	10

Appendix A – CARB Executive Order VR-101-X

## ABBREVIATIONS

### *List of Acronyms*

ADP .....	Air Discharge Permit	NESHAP .....	National Emission Standards for Hazardous Air Pollutants
AP-42 .....	Compilation of Emission Factors, AP-42, 5th Edition, Volume 1, Stationary Point and Area Sources – published by EPA	NSPS .....	New Source Performance Standard
BACT .....	Best available control technology	ORVR .....	Onboard Refueling Vapor Recovery
BART .....	Best Available Retrofit Technology	PSD .....	Prevention of Significant Deterioration
CARB .....	California Air Resources Board	RACT .....	Reasonably Available Control Technology
CFR .....	Code of Federal Regulations	RCW .....	Revised Code of Washington
EPA .....	U.S. Environmental Protection Agency	SEPA .....	State Environmental Policy Act
EU .....	Emission Unit	Standard .....	Standard conditions at a temperature of 68°F (20°C) and a pressure of 29.92 in Hg (760 mm Hg)
EVR .....	Enhanced Vapor Recovery	SWCAA .....	Southwest Clean Air Agency
LAER .....	Lowest achievable emission rate	T-BACT .....	Best Available Control Technology for toxic air pollutants
MACT .....	Maximum Achievable Control Technologies	WAC .....	Washington Administrative Code

### *List of Units and Measures*

tpy ..... Tons per year

*List of Chemical Symbols, Formulas, and Pollutants*

CO.....	Carbon monoxide	PM <sub>10</sub> .....	PM with an aerodynamic diameter 10 µm or less
CO <sub>2</sub> .....	Carbon dioxide	PM <sub>2.5</sub> .....	PM with an aerodynamic diameter 2.5 µm or less
CO <sub>2e</sub> .....	Carbon dioxide equivalent	SO <sub>2</sub> .....	Sulfur dioxide
HAP .....	Hazardous air pollutant listed pursuant to Section 112 of the Federal Clean Air Act	SO <sub>x</sub> .....	Sulfur oxides
NO <sub>x</sub> .....	Nitrogen oxides	TAP.....	Toxic air pollutant pursuant to Chapter 173-460 WAC
O <sub>2</sub> .....	Oxygen	VOC.....	Volatile organic compound
PM.....	Particulate Matter with an aerodynamic diameter 100 µm or less		

Terms not otherwise defined have the meaning assigned to them in the referenced regulations or the dictionary definition, as appropriate.

**1. FACILITY IDENTIFICATION**

Applicant Name: DRK Brar Property Management, LLC.  
 Applicant Address: 18701 NE 149<sup>th</sup> St.  
 Brush Prairie, WA 98606  
 Facility Name: Boondox Market  
 Facility Address: 8619 NE Ward Road  
 Vancouver, WA 98606  
 ~ 45°41'8.35"N, 122°30'15.22"W  
 SWCAA Identification: 2814  
 Contact Person: Darshan Singh Brar  
 Primary Process: Gasoline dispensing  
 SIC/NAICS Code: 5541: Gasoline service stations  
 447110 (2012/2017 NAICS): Gas stations with convenience  
 stores  
 457110 (2022 NAICS): Gas stations with convenience stores  
 Facility Classification: Natural Minor

**2. FACILITY DESCRIPTION**

This facility will be a retail gasoline dispensing facility associated with a convenience store.

**3. CURRENT PERMITTING ACTION**

This permitting action is in response to Air Discharge Permit (ADP) application number CL-3278 received October 17, 2024, for installation of a new retail gas station at the above address.

**4. PROCESS DESCRIPTION**

This facility will receive unleaded gasoline from tanker trucks for storage in three underground storage tanks or tank compartments. The gasoline storage tanks will be equipped with two-point enhanced vapor balance systems that return gasoline vapors vented from the underground storage tanks to the tanker truck during filling (Stage I enhanced vapor recovery). Gasoline will be dispensed from 8 multi-product pumps. Vapors displaced from individual motor vehicle gasoline tanks during filling will not be returned to the gasoline storage tanks (no Stage II vapor recovery).

<u>Products at Pump</u>	<u>Number of Pumps</u>
Blended gasoline through as single hose, diesel through a single hose	4
Blended gasoline and non-ethanol gasoline through separate hoses	2
Blended gasoline through as single hose	2

**5. EQUIPMENT/ACTIVITY IDENTIFICATION**

5.a. Storage Tanks. The following storage tanks will be utilized at the facility:

<b>Tank</b>	<b>Product</b>	<b>Capacity</b>
1	Regular Unleaded	15,000 gallons
2	Super Unleaded	12,000 gallons
3	Diesel	8,000 gallons
4	Diesel	5,000 gallons
5	Non-ethanol Unleaded	5,000 gallons

The gasoline storage tanks will be fitted with equipment approved by CARB Executive Order VR-101-X as components of the Franklin Fueling Systems, Inc. Phil-Tite/EBW/FFW Phase I enhanced vapor recovery system. The following components of the Stage I system will be installed:

<b>Component</b>	<b>Make / Model</b>
Spill Container – Product	EBW / 705-545-012CI-GKT (no drain valve)
Spill Container – Vapor	EBW / 705-545-012CI-GKT (no drain valve)
Drop-Tube / Overfill Prevention	OPW / 61T-7268
Swivel Top Fill Adapter <sup>2</sup>	Phil-Tite / SWF-100-SS
Swivel Top Vapor Adapter <sup>2</sup>	Phil-Tite / SWV-101-SS
Dust Cap – Product	EBW / 777-201-02
Dust Cap – Vapor	EBW / 304-301-03
Extractor Fitting	EBW / 330-400-11
Ball Float Vent Valve	Not Required - Not Provided
Pressure/Vacuum Vent Valve	OPW / 723V

<sup>1</sup> This is a two point system.

This facility will not utilize Stage II vapor recovery equipment. The following low permeation hoses and enhanced conventional nozzles will be installed:

<b>Component</b>	<b>Make / Model</b>
Nozzles	VST / VST-NV-ND (Enviro-Loc)
Hoses	VST / V34EC

#### 5.b. Equipment/Activity Summary.

<b>ID No.</b>	<b>Equipment/Activity</b>	<b>Control Equipment/Measure</b>
1	Retail Gasoline Dispensing Facility	Stage I Vapor Recovery Systems

## 6. EMISSIONS DETERMINATION

Unless otherwise specified by SWCAA, actual emissions must be determined using the specified input parameter listed for each emission unit and the following hierarchy of methodologies:

- Continuous emissions monitoring system (CEMS) data;
- Source emissions test data (EPA reference method). When source emissions test data conflicts with CEMS data for the time period of a source test, source test data must be used;

- (c) Source emissions test data (other test method); and
- (d) Emission factors or methodology provided in this TSD.

Nothing precludes the use, including the exclusive use of any credible evidence or information relevant to identifying or quantifying emissions if such credible evidence provides more accurate identification or quantification of actual emissions than other available information.

- 6.a. Gasoline Vapors. Total potential VOC emissions from the facility were estimated using the following emission factors from the California Air Resources Board December 23, 2013, document "Revised Emission Factors for Gasoline Marketing Operations at California Gasoline Dispensing Facilities":

<b>Emission Source</b>	<b>VOC Emission Factor (lb/1,000 gallons of fuel)</b>
Loading – Stage I Controlled (EVR)	0.150
Breathing – Controlled with P/V Valve	0.092
Uncontrolled Refueling – Stage II uncontrolled (non ORVR Vehicles, no Stage II)	0.84 <sup>1</sup>
Controlled Refueling (ORVR vehicles, no Stage II)	0.151 <sup>2</sup>
Spillage (ECO nozzles)	0.240
Hose Permeation (low permeation)	0.009
<b>Total</b>	<b>1.482</b>

<sup>1</sup> Based on 90% of the gasoline being dispensed to vehicles equipped with carbon canisters (ORVR). The base emission factor, assuming no ORVR vehicles, is 8.400 lb/1,000 gallons. 10% of the vehicles are not equipped with ORVR: 8.4 lb/1,000 gallons \* (1-0.90) = 0.84 lb/1,000 gallons.

<sup>2</sup> This is the amount of vapor released during refueling that is attributable to those vehicles equipped with carbon canisters (ORVR) assuming carbon canisters provide for 98% control. 8.400 lb/1,000 gallons \* 90% of gas dispensed to vehicles with ORVR \* (2% of vapors not captured by the canister) = 0.151 lb/1,000 gallons.

The above calculations assume that 90% of the fuel is dispensed to vehicles equipped with onboard refueling vapor recovery (ORVR). SWCAA expects this level was met in Clark County in 2020 and will be met a few years later in Cowlitz, Lewis, Skamania, and Wahkiakum counties.

At a throughput of 5,000,000 gallons of gasoline per year, the facility would emit 3.71 tons of volatile organic compounds. Based on EPA Speciate 3.2 profile number 2455, approximately 50.0% of the total VOC emissions are toxic air pollutants (TAPs) as defined by WAC 173-460 (as in effect August 21, 1998), and approximately 12.9% of the total VOC emissions are federally listed hazardous air pollutants (HAPs). For a throughput of 5,000,000 gallons per year, TAP and HAP emission rates are estimated at 1.85 tons per year, and 0.48 tons per year respectively.

6.b. Emissions Summary

<b>Air Pollutant</b>	<b>Potential to Emit (tpy)</b>	<b>Project Impact (tpy)</b>
NO <sub>x</sub>	0	0
CO	0	0
VOC	3.71	3.71
SO <sub>2</sub>	0	0
PM	0	0
PM <sub>10</sub>	0	0
PM <sub>2.5</sub>	0	0
CO <sub>2</sub> /CO <sub>2e</sub>	0	0
Toxic Air Pollutants	1.85	1.85
Hazardous Air Pollutants	0.48	0.48

<sup>1</sup> Based on 90% of fuel dispensed to ORVR-equipped vehicles. The magnitude of the project impact presented here assumes a gasoline throughput of 5,000,000 gallons per year.

## 7. REGULATIONS AND EMISSION STANDARDS

Regulations have been established for the control of emissions of air pollutants to the ambient air. Regulations applicable to the proposed facility that have been used to evaluate the acceptability of the proposed facility and establish emission limits and control requirements include, but are not limited to, the following regulations, codes, or requirements. These items establish maximum emissions limits that could be allowed and are not to be exceeded for new or existing facilities. More stringent limits are established in this ADP consistent with implementation of Best Available Control Technology (BACT):

7.a. Title 40 Code of Federal Regulations (CFR) Part 63.11110 et seq. Subpart CCCCCC "National Emission Standards for Hazardous Air Pollutants for Source Category: Gasoline Dispensing Facilities" establishes emission control, testing, recordkeeping and reporting requirements for new and existing gasoline dispensing facilities. Which requirements apply to a specific facility depend upon when the facility began operation and the monthly throughput. This facility will begin operation after January 10, 2008 and has a potential throughput of 100,000 gallons per month or more. Facilities with a throughput of 100,000 gallons per month or more that begin operation after January 10, 2008 must comply with requirements found in Table 1 of Subpart CCCCCC including:

- (1) All vapor connections and lines on the storage tank shall be equipped with closures that seal upon disconnection;
- (2) The vapor line from the gasoline storage tank to the gasoline cargo tank shall be vapor tight;
- (3) The vapor balance system shall be designed such that the pressure in the tank truck does not exceed 18" w.c. pressure or 5.9" w.c. vacuum during product transfer;



- (4) The vapor recovery and product adaptors, and the method of connection with the delivery elbow, shall be designed so as to prevent the over-tightening or loosening of fittings during normal delivery operations;
- (5) Liquid fill connections for all systems shall be equipped with vapor-tight caps;
- (6) Pressure/vacuum vent valves shall be installed on the storage tank vent pipes. The positive pressure setting shall be 2.5" w.c. to 6" w.c. and the negative pressure setting shall be 6" w.c. to 10" w.c. The total leak rate for all pressure/vacuum valves at an affected facility, including connections, shall not exceed 0.17 cubic foot per hour at a pressure of 2.0" w.c. and 0.63 cubic foot per hour at a vacuum of 4" w.c.;
- (7) The vapor balance system shall be capable of meeting the static pressure performance requirement found in Table 1 of Subpart CCCCCC; and
- (8) Each new or existing gasoline storage tank shall be equipped with a dual-point vapor balance system.

In addition, the facility must conduct testing as required by 40 CFR 63.11120, provide notifications as required by 40 CFR 63.11124, and maintain records and report as required by 40 CFR 63.11125 and 63.11126.

- 7.b. Title 40 CFR Part 1090 "Regulation of Fuels, Fuel Additives, and Regulated Blendstocks" in section 1090.1550(b) requires that the flow through any nozzle dispensing gasoline into motor vehicles be limited so as not to exceed a maximum value of 10 gallons per minute.
- 7.c. Revised Code of Washington (RCW) 70A.15.2040 empowers any activated air pollution control authority to prepare and develop a comprehensive plan or plans for the prevention, abatement and control of air pollution within its jurisdiction. An air pollution control authority may issue such orders as may be necessary to effectuate the purposes of the Washington Clean Air Act (RCW 70A.15) and enforce the same by all appropriate administrative and judicial proceedings subject to the rights of appeal as provided in Chapter 62, Laws of 1970 ex. sess.
- 7.d. RCW 70A.15.2210 provides for the inclusion of conditions of operation as are reasonably necessary to assure the maintenance of compliance with the applicable ordinances, resolutions, rules and regulations when issuing an ADP for installation and establishment of an air contaminant source.
- 7.e. Washington Administrative Code (WAC) 173-460 "Controls for New Sources of Toxic Air Pollutants" requires Best Available Control Technology for toxic air pollutants (T-BACT), identification and quantification of emissions of toxic air pollutants and demonstration of protection of human health and safety from new sources not provided an exemption under WAC 173-460-030. Gasoline dispensing facilities are exempt from the provisions of WAC 173-460.
- 7.f. WAC 173-476 "Ambient Air Quality Standards" establishes ambient air quality standards for PM<sub>10</sub>, PM<sub>2.5</sub>, lead, SO<sub>2</sub>, NO<sub>x</sub>, ozone, and CO in the ambient air, which must not be exceeded.

- 7.g. SWCAA 400-040 "General Standards for Maximum Emissions" requires all new and existing sources and emission units to meet certain performance standards with respect to Reasonably Available Control Technology (RACT), visible emissions, fallout, fugitive emissions, odors, emissions detrimental to persons or property, SO<sub>2</sub>, concealment and masking, and fugitive dust.
- 7.h. SWCAA 400-040(3) "Fugitive Emissions" requires that reasonable precautions be taken to prevent the fugitive release of air contaminants to the atmosphere.
- 7.i. SWCAA 400-040(4) "Odors" requires any source which generates odors that may unreasonably interfere with any other property owner's use and enjoyment of their property to use recognized good practice and procedures to reduce these odors to a reasonable minimum.
- 7.j. SWCAA 400-109 "Air Discharge Permit Applications" requires that an ADP application be submitted for all new installations, modifications, changes, or alterations to process and emission control equipment consistent with the definition of "new source." Sources wishing to modify existing permit terms may submit an ADP application to request such changes. An ADP must be issued, or written confirmation of exempt status must be received, before beginning any actual construction, or implementing any other modification, change, or alteration of existing equipment, processes, or permits.
- 7.k. SWCAA 400-110 "New Source Review" requires that SWCAA issue an ADP in response to an ADP application prior to establishment of the new source, emission unit, or modification.
- 7.l. SWCAA 400-111 "Requirements for Sources in a Maintenance Plan Area" requires that no approval to construct or alter an air contaminant source will be granted unless it is evidenced that:
- (1) The equipment or technology is designed and will be installed to operate without causing a violation of the applicable emission standards;
  - (2) Emissions will be minimized to the extent that the new source will not exceed emission levels or other requirements provided in the maintenance plan;
  - (3) BACT will be employed for all air contaminants to be emitted by the proposed equipment;
  - (4) The proposed equipment will not cause any ambient air quality standard to be exceeded; and
  - (5) If the proposed equipment or facility will emit any toxic air pollutant regulated under WAC 173-460, the proposed equipment and control measures will meet all the requirements of that Chapter.

The facility will be located in a maintenance plan area; therefore, this regulation applies to the facility.

- 7.m. SWCAA 491-040(4) "Gasoline Vapor Control Requirements – Gasoline Dispensing Facilities" establishes the following requirements:

- (1) All gasoline dispensing facilities with an annual gasoline throughput greater than two hundred thousand (200,000) gallons in Clark County and three hundred sixty thousand (360,000) gallons in Cowlitz, Lewis, Skamania and Wahkiakum Counties shall be subject to gasoline Stage I vapor control requirements;
- (2) All gasoline dispensing stations subject to this section shall be equipped with submerged or bottom fill lines and fittings to balance gasoline vapors with the delivery transport tank;
- (3) The owner or operator of a gasoline dispensing facility subject to this section shall not permit the loading of gasoline into a storage tank equipped with vapor recovery equipment from a transport tank equipped with vapor recovery fittings unless Stage I vapor recovery equipment is attached to the transport tank and operated satisfactorily;
- (4) Every retailer and wholesale purchaser-consumer shall equip each pump from which gasoline is dispensed into motor vehicles with a nozzle that dispense fuel at a flow rate not to exceed 10 gallons per minute;
- (5) Stage II vapor recovery equipment compatible with ORVR may be removed from service beginning January 1, 2023 after an Air Discharge Permit has been issued for the modification; and
- (6) New gasoline dispensing facilities (built after February 7, 2020), or existing gasoline dispensing facilities without Stage II vapor recovery, are not required to install Stage II vapor recovery equipment.

## 8. RACT/BACT/BART/LAER/PSD/CAM DETERMINATIONS

The proposed equipment and control systems incorporate BACT for the types and amounts of air contaminants emitted by the processes as described below:

- 8.a. Retail Gasoline Dispensing Facility. SWCAA has determined that Best Available Control Technology for the control of gasoline vapors emitted from new gasoline dispensing facilities with a throughput of more than 200,000 gallons per year in Clark County consists of EVR Stage I vapor recovery equipment as tested and approved by CARB, enhanced conventional nozzles (where Stage II is not in place), and low permeation hoses if liquid gasoline is carried against the outermost hose wall.

The applicant proposes to install Stage I enhanced vapor recovery equipment, low permeation hoses, and enhanced conventional nozzles. This configuration meets the requirements of BACT.

- 8.b. PSD Applicability. Maximum potential emissions from this facility are well below PSD thresholds; therefore, PSD permitting is not required.
- 8.c. Compliance Assurance Monitoring (CAM) Applicability Determination. CAM is not applicable to any emission unit at this source because it is not a major source and is not required to obtain a Part 70 permit.

## 9. AMBIENT IMPACT ANALYSIS

- 9.a. The retail gasoline dispensing facility equipped with Stage I enhanced vapor recovery systems, ECO nozzles, and low permeation hoses will not cause the ambient air quality standards established by Title 40 Code of Federal Regulations Part 50 (40 CFR 50), "National Primary and Secondary Ambient Air Quality Standards" to be violated.
- 9.b. The retail gasoline dispensing facility equipped with Stage I enhanced vapor recovery systems, ECO nozzles, and low permeation hoses, if properly installed and maintained, can be operated without causing a violation of the applicable emission standards which include the limits established under SWCAA 400-040 "General Standards for Maximum Emissions."
- 9.c. The retail gasoline dispensing facility equipped with Stage I enhanced vapor recovery systems, ECO nozzles, and low permeation hoses will not cause the requirements of WAC 173-476 "Ambient Air Quality Standards" to be violated.

## 10. DISCUSSION OF APPROVAL CONDITIONS

SWCAA has made a determination to issue ADP 25-3679 in response to ADP application CL-3278. ADP 25-3679 contains approval requirements deemed necessary to assure compliance with applicable regulations and emission standards, as discussed below.

- 10.a. Supersession of Previous Permits. This will be a new facility.
- 10.b. Emission Limits. An annual VOC emission limit of 3.71 tons per year was established. This limit is based upon the facility utilizing properly operated Stage I enhanced vapor recovery systems, enhanced conventional nozzles, low permeation hoses, and dispensing 90% of the fuel to ORVR-equipped vehicles, and a gasoline throughput of 5,000,000 gallons per year.
- 10.c. Operational Limits and Requirements. Consistent with SWCAA 400-040(4), the permittee is required to use recognized good practice and procedures to minimize odors that impact other property owners.

The gasoline throughput was limited to 5,000,000 gallons per year. At higher throughputs additional actions may be necessary to meet the requirements of BACT.

The remaining requirements are related to proper operation of the Stage I vapor recovery systems, the use of low permeation hoses and enhanced conventional nozzles.

- 10.d. Monitoring and Recordkeeping Requirements. The permittee is required to record each occurrence of maintenance and repairs to vapor recovery equipment so that SWCAA and the permittee can assure that maintenance and repairs are consistent with approved vapor recovery requirements.

- 10.e. Reporting Requirements. Total gasoline throughput and the annual emissions inventory are required to be submitted to SWCAA by January 31<sup>st</sup> of each year (unless otherwise directed by SWCAA) to demonstrate compliance with the throughput limitation in the permit and allow for the development of a comprehensive emissions inventory. Test results must be reported to SWCAA within 14 days of test completion consistent with CARB and SWCAA reporting requirements.

## **11. START-UP AND SHUTDOWN/ALTERNATIVE OPERATING SCENARIOS/POLLUTION PREVENTION**

- 11.a. Start-up and Shutdown Provisions. Pursuant to SWCAA 400-081 "Start-up and Shutdown," technology-based emission standards and control technology determinations shall take into consideration the physical and operational ability of a source to comply with the applicable standards during start-up or shutdown. Where it is determined that a source is not capable of achieving continuous compliance with an emission standard during start-up or shutdown, SWCAA shall include appropriate emission limitations, operating parameters, or other criteria to regulate performance of the source during start-up or shutdown.

This source is capable of achieving continuous compliance with all applicable requirements; therefore, no start-up or shutdown provisions were included in the ADP.

- 11.b. Alternate Operating Scenarios. SWCAA conducted a review of alternate operating scenarios applicable to equipment affected by this permitting action. The permittee did not propose or identify any applicable alternate operating scenarios. Therefore, none were accommodated by the approval conditions.
- 11.c. Pollution Prevention Measures. SWCAA conducted a review for possible pollution prevention measures outside of the use of Stage I vapor recovery equipment, low permeation hoses, and enhanced conventional nozzles. As indicated in Section 8, Stage II vapor recovery equipment was not necessary to meet the requirements of BACT. No other pollution prevention measures were identified by either the permittee or SWCAA. Therefore, none were accommodated in the approval conditions.

## **12. EMISSION MONITORING AND TESTING**

In accordance 40 CFR 63 Subpart CCCCCC, and SWCAA 491-040(4)(n) that became effective February 7, 2020, testing of each pressure-vacuum vent valve is required every 36 months. New pressure/vacuum vent valves are typically tested at the factory, therefore initial testing does not apply to new valves with a factory test. In accordance with SWCAA 491, initial vapor recovery testing is required prior to placing the equipment back into service rather than within 60 days after startup as specified in the applicable CARB Executive Order.

For the static pressure decay test, TP-201.3 does not provide an allowable final pressure for stations without Stage II vapor recovery. Therefore, the allowable final pressure equation from 40 CFR 63 Subpart CCCCCC was included in the permit.

### 13. FACILITY HISTORY

This will be a new facility.

### 14. PUBLIC INVOLVEMENT OPPORTUNITY

- 14.a. Public Notice for ADP Application CL-3278. Public notice for ADP application CL-3278 was published on the SWCAA website for a minimum of 15 days, beginning on November 26, 2024.
- 14.b. Public/Applicant Comment for ADP Application CL-3278. SWCAA did not receive specific comments, a comment period request, or any other inquiry from the public or the applicant regarding ADP application CL-3278. Therefore, no public comment period was provided for this permitting action.
- 14.c. State Environmental Policy Act. Clark County Community Development issued a Type II Site Plan and Environmental Review Staff Report and Decision August 8, 2022, for this project. Clark County did not make a SEPA threshold determination as part of this review. Because SEPA is required for this Air Discharge Permit for the gas dispensing portion of the project, SWCAA conducted a SEPA review limited to the air impacts of the gasoline dispensing portion of the project. After reviewing the SEPA Checklist for this project, SWCAA has determined that the project does not have a probable significant impact on the environment and has issued Determination of Non-Significance 25-001. An Environmental Impact Statement is not required under RCW 43.21C.030(2)(c).

## **Appendix A**

### **CARB Executive Order VR-101-X**

**Relating to Certification of Vapor Recovery Systems**

**Franklin Fueling Systems, Inc.**

**Phil-Tite/EBW/FFS Phase I Vapor Recovery System**

**State of California  
Air Resources Board**

**Executive Order VR-101-X**

**Relating to Certification of Vapor Recovery Systems**

**Franklin Fueling Systems, Inc.**

**Phil-Tite/EBW/FFS Phase I Vapor Recovery System**

Whereas, the California Air Resources Board (CARB) has established, pursuant to California Health and Safety Code sections 25290.1.2, 39600, 39601 and 41954, certification procedures for systems designed for the control of gasoline vapor emissions during the filling of underground gasoline storage tanks (Phase I EVR System), in its Certification Procedure for Vapor Recovery Systems at Gasoline Dispensing Facilities Using Underground Storage Tanks (CP-201) as last amended July 12, 2023, incorporated by reference in Title 17, California Code of Regulations, Section 94011;

Whereas, CARB has established, pursuant to California Health and Safety Code Sections 39600, 39601, 39607, and 41954 test procedures for determining the compliance of Phase I EVR Systems with emission standards;

Whereas, Franklin Fueling Systems, Inc. (FFS) requested and was granted certification of the Phil-Tite Phase I Vapor Recovery System (Phil-Tite System<sup>1</sup>) pursuant to CP-201 on June 19, 2001, by Executive Order VR-101-A, and last modified on November 8, 2023, by Executive Order VR-101-W;

Whereas, Vapor Systems Technologies, Inc. (VST) requested an amendment to the Phil-Tite System to add the VST-EVRPV-100 Pressure/Vacuum (P/V) Valve and VST-EVRPV-200 P/V Valve with Test In Place (TIP) feature as modifications of the Phil-Tite System;

Whereas, CP-201 provides that the CARB Executive Officer shall issue an Executive Order if he or she determines that the vapor recovery system, including modifications, conforms to all applicable requirements set forth in CP-201;

Whereas, Executive Order G-21-474 delegates to the Chief of the Monitoring and Laboratory Division the authority to certify or approve modifications to certified Phase I and Phase II vapor recovery systems for gasoline dispensing facilities (GDF); and

Whereas, I, Walter Ham, Chief of MLD, find that the Phil-Tite System, as amended to include the modification listed above, conforms with all the requirements set forth in CP-201, and results in a vapor recovery system which is at least 98.0 percent efficient when tested pursuant to test procedure TP-201.1, Volumetric Efficiency for Phase I Systems (July 26, 2012).

---

<sup>1</sup> As used in this Executive Order, the term, Phil-Tite System, shall include Phil-Tite/EBW/FFS Phase I Vapor Recovery System.



Now, therefore, it is hereby ordered that the Phil-Tite System including modifications is certified to be at least 98.0 percent efficient when installed and maintained as specified herein and in the following exhibits. Exhibit 1 contains a list of the certified components. Exhibit 2 contains the performance standards and specifications, typical installation drawings, and maintenance intervals for the Phil-Tite System as installed in a gasoline dispensing facility (GDF). Exhibit 3 contains the manufacturing performance specifications. Exhibit 4 contains the manufacturer warranties. Exhibit 5 is the below-grade vaulted tank configuration.

It is further ordered that compliance with the applicable certification requirements, rules and regulations of the Division of Measurement Standards of the Department of Food and Agriculture, the Office of the State Fire Marshal of the Department of Forestry and Fire Prevention, the Division of Occupational Safety and Health of the Department of Industrial Relations, and the Division of Water Quality of the State Water Resources Control Board are made conditions of this certification.

It is further ordered that each component manufacturer listed in Exhibit 1 shall provide a warranty for the vapor recovery component(s) to the initial purchaser. The warranty shall be passed on to each subsequent purchaser within the warranty period. The warranty shall comply with all warranty requirements in section 16.5 of CP-201 including ongoing compliance with all applicable performance standards and specifications. Manufacturers may specify that the warranty is contingent upon the use of trained installers. The manufacturer warranty tag, included with each component, shall be provided to the service station owner/operator at the time of installation.

It is further ordered that the certified Phil-Tite System shall be installed, operated and maintained in accordance with the CARB-Approved Installation, Operation and Maintenance (IOM) Manual for the Phil-Tite System as certified by Executive Order VR-101-X. Equipment shall be inspected quarterly and annually per the procedures identified in the CARB Approved IOM Manual. These inspections shall also apply to systems certified by Executive Orders VR-101-A to W. A copy of this Executive Order and IOM shall be maintained at each GDF where a certified Phil-Tite system is installed.

It is further ordered that equipment listed in Exhibit 1, unless exempted, shall be clearly identified by a permanent identification showing the manufacturer's name and model number.

It is further ordered that any alteration in the equipment parts, design, installation, or operation of the system provided in the manufacturers' certification application or documents and certified hereby is prohibited and deemed inconsistent with this certification, unless the alteration has been submitted in writing pursuant to the process for Executive Order amendments set forth in Section 18 of CP-201 and approved in writing by the CARB Executive Officer or his or her delegate. Any sale, offer for sale, or installation of any system or component without CARB's approval as set forth above is subject to enforcement action.

It is further ordered that the following requirements be made a condition of certification. The owner or operator of the Phil-Tite system shall conduct, and pass, the following tests no later than 60 days after startup and at least once every three (3) years after startup testing, using the following test procedures:

- TP 201.3, Determination of 2 Inch WC Static Pressure Performance of Vapor Recovery Systems of Dispensing Facilities (July 26, 2012),
- TP 201.1B, Static Torque of Rotatable Phase I Adaptors (October 8, 2003), and
- either TP 201.1D, Leak Rate of Drop Tube Overfill Prevention Device and Spill Container Drain Valve (July 12, 2021) or TP 201.1C, Leak Rate of Drop Tube/Drain Valve Assembly (July 12, 2021) depending on system configuration.

Shorter time periods may be specified in accordance with local district requirements. Notification of testing, and submittal of test results, shall be done in accordance with local district requirements and pursuant to the policies established by that district. Local districts may require the use of alternate test form(s), provided they include the same minimum parameters identified in the datasheet referenced in the test procedure(s). Alternative test procedures, including the most recent versions of the test procedures listed above, may be used if determined by the Executive Officer or his or her delegate, in writing, to yield comparable results. Testing the Pressure/Vacuum (P/V) Vent valve will be at the option of the local districts. If P/V valve testing is required by the district, the test shall be conducted in accordance with TP 201.1E, Leak Rate and Cracking Pressure of Pressure/Vacuum Vent Valves (October 8, 2003) and Exhibit 2.

It is further ordered that the Phil-Tite System shall be compatible with gasoline in common use in California at the time of certification, including E85 (85 percent ethanol/15 percent gasoline) for specific components listed in Exhibit 1. Any modifications to comply with future California gasoline requirements shall be approved in writing by the Executive Officer or his or her delegate.

It is further ordered that GDF installations permitted for dispensing E85 fuel shall be subject to a throughput limitation of 1.2 million gallons per year (100,000 gallons per month).

It is further ordered that the certification of the Phil-Tite System shall remain valid through June 1, 2025.

It is further ordered that Executive Order VR-101-W issued on November 8, 2023, is hereby superseded by this Executive Order. Phil-Tite System certified under Executive Orders VR-101-A through W may remain in use at existing installations up to four years after the expiration date of this Executive Order when the certification is not renewed.

It is further ordered that this Executive Order shall apply to new installations or major modification of the Phase I system of existing gasoline dispensing facilities.

Executed at Sacramento, California, this 11<sup>th</sup> day of September 2024.

**Walter Ham** Digitally signed by Walter Ham  
Date: 2024.09.11 15:15:29  
-07'00'

---

Walter Ham, Ph.D., Chief  
Monitoring and Laboratory Division

Attachments:

- Exhibit 1 Phil-Tite Phase I Vapor Recovery System Equipment List
- Exhibit 2 Installation, Maintenance and Compliance Specifications
- Exhibit 3 Manufacturing Performance Standards and Specifications
- Exhibit 4 Manufacturer Warranties
- Exhibit 5 Below Grade Vaulted Tank Configuration Installation, Operation and Maintenance Manual

**EXHIBIT 1**  
**VR-101 Revision X**

**Franklin Fueling Systems (Phil-Tite/EBW/FFS) Phase I Vapor Recovery System Equipment List**

**NOTE:**

(Gas/E85) = Identifies that these components are approved for standard gasoline and E85 fuel blends.

(Gas) = Identifies that these components are only approved for standard gasoline fuel blends.

**Equipment**  
**Spill Container**  
**(Phil-Tite Series**  
**Spill Containers)**

**Manufacturer/Model Number**  
Phil-Tite 85000 and 85000-1 Series (Gas/E85)

85W0X and 85W0X-1 legend:  
W represented by:  
1=replacement spill container  
X represented by:  
0 = product spill container  
0-EXT = product spill container w extension collar  
1 = vapor spill container  
1-EXT = vapor spill container w extension collar

**Spill Container**  
**(Defender Series**  
**Spill Containers)**

EBW Defender 705 Series (Gas/E85)

Defender 705 Series Legend (Gas/E85)  
7055XYZAB where XYZAB is represented by:  
X = containment  
4 = single wall  
5 = double wall

Y = installation  
2 = multiport bucket  
5 = direct bury

Z = interstitial monitoring method  
0 = no sensor/gauge (i.e. single wall)  
1 = I2 monitor (float gauge, visual)  
2 = TSP-ULS (electronic sensor)

A = spill container base thread  
0 = NPSM (straight thread)  
1 = NPT (taper thread)

B = drain valve  
1 = with drain valve (typical on product/fill side)  
2 = without drain valve (typical on vapor side)

**Spill Container**  
**(EBW Series Spill**  
**Containers)**

EBW 7XX-49Y-0Z (Gas)

XX indicates spill bucket gallon size:  
05 = 5 Gallon  
15 = 15 Gallon

Y indicates level and base material:  
0 = grade level with cast iron base (5 gallon)  
2 = below grade level with cast iron base

**Equipment****Manufacturer/Model Number**

(5 and 15 gallon)

Z indicates drain valve:

1 = drain valve

2 = no drain valve

**Spill Container Lid  
(Phil-Tite Series Spill  
Containers)**

Phil-Tite 85011 (Gas/E85)

(Not required with sump configuration lid, see Figure 2B in Exhibit 2)

**Spill Container Lid  
(Defender and EBW  
Series  
Spill Containers)**

EBW 7054401X (Gas/E85)

X = Lid Color, Varies

**Replacement  
Drain Valve  
(Phil-Tite Series  
Spill Containers)**

Phil-Tite 85400 (Gas/E85)

**Replacement  
Drain Valve  
(Defender Series  
Spill Containers)**

EBW 70533729 (Gas/E85)

**Replacement  
Drain Valve  
(EBW Series  
Spill Container)**EBW 70533719 (Gas)  
70533729 (Gas/E85)**Drain Valve Blank Kit  
(EBW Series  
Spill Container)**

EBW 90022

**Drain Valve Isolation  
Kit  
(EBW Series  
Spill Containers)**

EBW 70825501

**Drain Valve Isolation  
Test Kit  
(EBW Series  
Spill Containers)**

EBW 90079

**Product Adaptor**Phil-Tite SWF-100-B (Gas)  
Phil-Tite SWF-100-SS (Gas/E85)**Vapor Adaptor**Phil-Tite SWW-101-B (Gas)  
Phil-Tite SWW-101-SS (Gas/E85)**Riser Adaptor**Phil-Tite M/F 4X4 (Gas/E85)  
Phil-Tite M/F 4X4-R (Gas/E85)**Riser Support Bracket**

Phil-Tite M 1600 (Gas/E85)

**Equipment**

**Manufacturer/Model Number**

**Drop Tube Riser  
Clamp  
(Defender Series Spill  
Containers)**

FFS 70550901EC (Gas/E85)

**Dust Cap**

Morrison Brothers 323C-0100ACEVR (vapor) (Gas/E85)  
Morrison Brothers 305C-0100ACEVR (product)(Gas/E85)

OPW 1711T-EVR (vapor) (Gas/E85)  
OPW 634TT-EVR (product) (Gas/E85)  
OPW 634LPC (product) (Gas)  
OPW 1711LPC (vapor) (Gas)

CompX CSP1-634LPC (product) (Gas)  
CompX CSP3-1711LPC (vapor) (Gas)  
CompX CSP2-634LPC (product) (Gas)  
CompX CSP4-1711LPC (vapor) (Gas)

EBW 77720102 (product) (Gas/E85)  
EBW 77720202 (product) (Gas/E85)  
EBW 30430103 (vapor) (Gas/E85)  
EBW 30420006 (vapor) (Gas/E85)

**Pressure/Vacuum Vent  
Valve**

FFS PV-Zero 407215901 (Gas/E85)  
Husky 5885 (Gas/E85)  
OPW 723V (Gas/E85)  
FFS Defender Series 804 (Gas/E85)  
VST VST-EVRPV-100 (Gas/E85)  
VST VST-EVRPV-200 (Gas/E85)  
Note: VST-EVRPV-100 and VST-EVRPV-200 (with Test-In-Place  
feature) both require installation of rain cap VST-RC-200.

**In-Line  
Pressure/Vacuum Vent  
Vault**

FFS DPVV (optional)

**Tank Gauge Port  
Components**

Veeder-Root 312020-952 (cap and adaptor kit) (Gas/E85)  
Morrison Brothers 305XPA1100AKEVR (cap and adaptor kit) (Gas/E85)  
Morrison Brothers 305-0200AAEVR (replacement adaptor) (Gas/E85)  
Morrison Brothers 305XP-110ACEVR (replacement cap) (Gas/E85)  
EBW 90037-E (In Tank Probe Cap and Adapter Kit) (Gas/E85)

**Drop Tube Overfill  
Prevention Device<sup>1</sup>**

Defender Series OPV 70859X9YZ (Gas/E85)  
Defender Series OPV 70869X9YZ (Gas/E85)

Defender Series OPV legend:  
X = upper drop tube length:  
1 = 5 feet  
2 = 10 feet  
3

**Equipment**

**Manufacturer/Model Number**

Y = Tube compatibility:  
0 = Gas  
2 = Gas/E85

Z = lower drop tube length:  
1 = 8 feet  
2 = 10 feet

EBW 70849X1Y (Gas)  
EBW 70849X3Y (Gas/E85)

X represented by:  
1 = 5 foot length upper drop tube section  
2 = 10 foot length upper drop tube section

Y represented by:  
1 = 8 foot length bottom thread on section drop tube  
2 = 10 foot length bottom thread on section drop tube

<b>Drop Tube<sup>1</sup></b>	OPW 61-T (various lengths) (Gas)(Phil-Tite Series Spill Containers only) EBW 7822041X-2 (X = various lengths) (Gas) EBW 7822043X-2 (X = various lengths) (Gas/E85)
<b>Riser Offset<sup>1</sup></b>	Phil-Tite M-6050-X (x = various offsets) (Gas/E85)
<b>Double Fill<sup>1</sup> Tank Riser Configuration</b>	Phil Tite (configuration only) (Gas/E85) Defender (configuration only) (Gas/E85)
<b>Tank Bottom Protector<sup>1</sup></b>	Phil-Tite TBP-3516-E (Gas/E85)
<b>Emergency Vent</b>	Exhibit 5 (for below-grade vaulted tank configuration)
<b>Fuel Lock<sup>1</sup></b>	McGard FL1 – Stick Only Fuel Lock (125007) (Gas) McGard FL2 – Stick/Sampling Fuel Lock (125008) (Gas)
<b>Bladder Plug</b>	McGard PSI104 (Gas)

<sup>1</sup> If these components are installed or required by regulations of other agencies, only those components and model numbers specified above shall be installed or used.

**Table 1**  
*Components Exempt from Identification Requirements*

Component Name	Manufacturer	Model Number
Drop Tube	OPW EBW EBW	61-T Straight Drop Tube (Gas) 7822041X-2 (X = various lengths) (Gas) 7822043X-2 (X = various lengths) (Gas/E85)
Dust Caps	Morrison Brothers	323C-0100ACEVR (vapor)* (Gas/E85) 305C-0100ACEVR (product)* (Gas/E85)
Tank Gauge Port Components	Veeder-Root	312020-952 (cap & adaptor) (Gas/E85)
	Morrison Brothers	305XPA1100AKEVR (cap and adaptor kit) (Gas/E85) 305-0200AAEVR (replacement adaptor) (Gas/E85) 305XP-1100ACEVR (replacement cap) (Gas/E85)
	EBW	90037-E (In Tank Probe Cap and Adaptor Kit) (Gas/E85)
Riser Adaptor	Phil-Tite	M/F 4X4 (Gas/E85) M/F 4X4-R (Gas/E85)
Riser Offset	Phil-Tite	M-6050-X (X = various offsets) (Gas/E85)
Riser Support Bracket	Phil-Tite	M-1600 (Gas/E85)
Spill Container Lid	Phil-Tite EBW	85011 (Gas/E85) 7054401X (Gas/E85)
Sump/Sump Lids	Varies	Varies (Gas/E85)
Drop Tube Riser Clamp	FFS	70550901EC (Gas/E85)
Replacement Drain Valve	EBW	EBW 70533729 EBW 70533719
Drain Valve Blank Kit	EBW	90022
Fuel Lock	McGard	FL1, FL2
Rain Cap	VST	VST-RC-200

\* Morrison Brothers dust caps identified as 323C EVR and 305C EVR respectively.

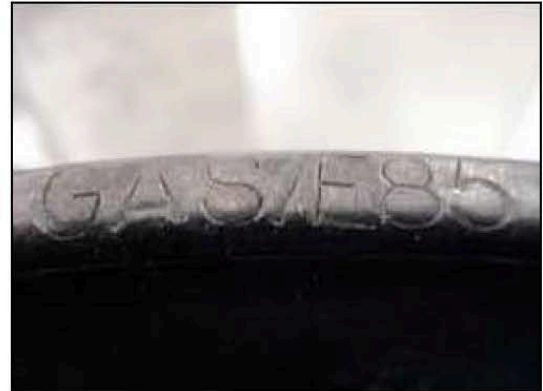
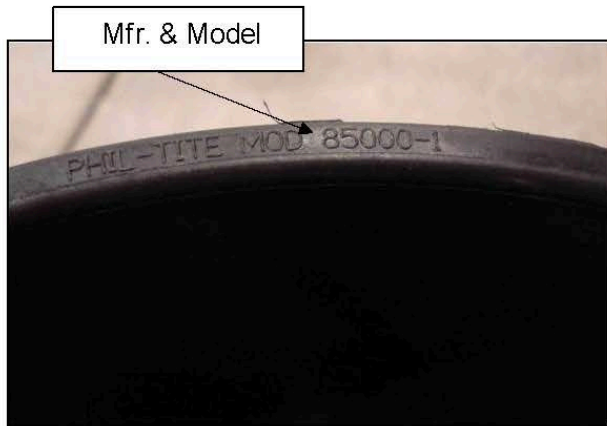
The component in Table 2 may not be installed as a new or replacement part on or after September 1, 2002. This component, if installed prior to September 1, 2002, may be used for the remainder of its useful life.

**Table 2**

Component Name	Manufacturer	Model Number
Drop Tube	Emco Wheaton	A0020 (various lengths) (Gas)



### Component Identification and Location



**Phil-Tite Model 85000 Series Spill Containers**



**Defender 705 Series Spill Container-  
double wall (Gas/E85 Compatible)**

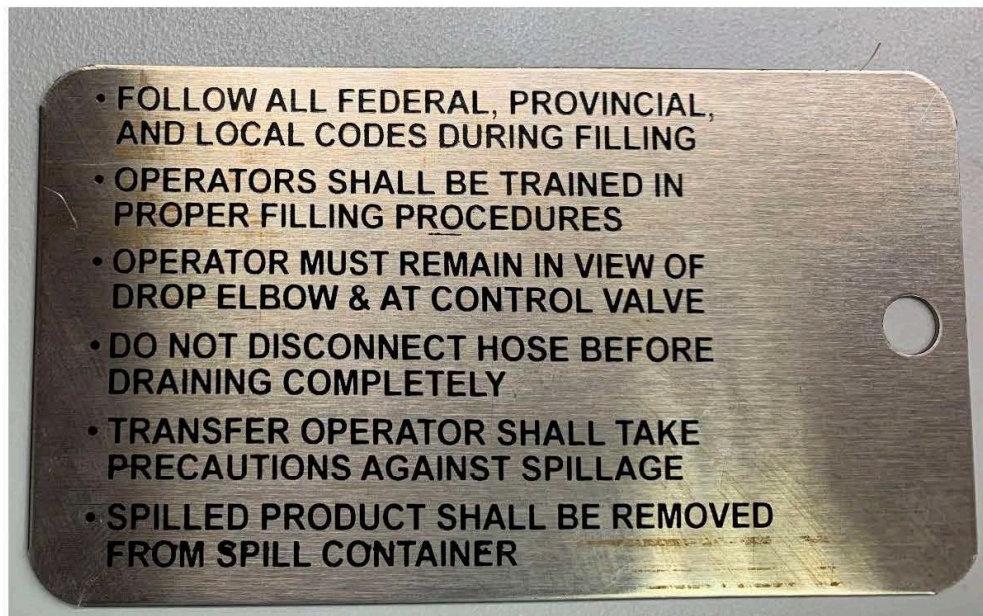


**Defender 705 Series Spill Container-  
single wall (Gas/E85 Compatible)**

## Component Identification and Location



(New Tag Front) Defender Series Spill Container (Gas/E85 Compatible)



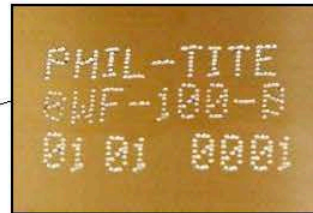
(New Tag Back) Defender Series Spill Container (Gas/E85 Compatible)

**Component Identification and Location**



**Spill Container EBW 7XX-49Y-0Z**

## Component Identification and Location

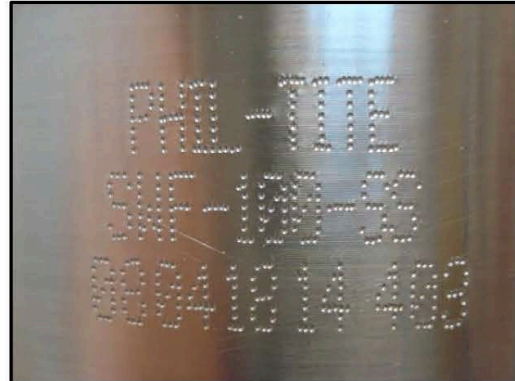


**Phil-Tite Model SWF-100-B  
Product Adaptor**

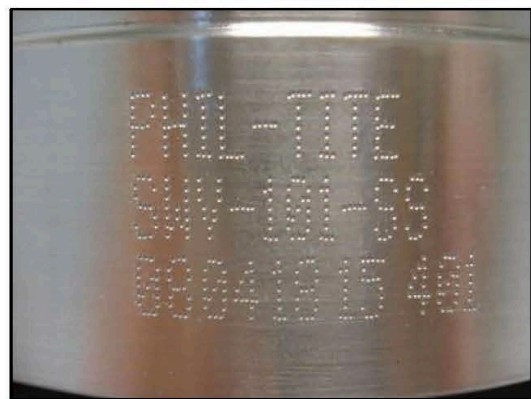


**Phil-Tite Model SWV-101-B  
Vapor Adaptor**

### Component Identification and Location



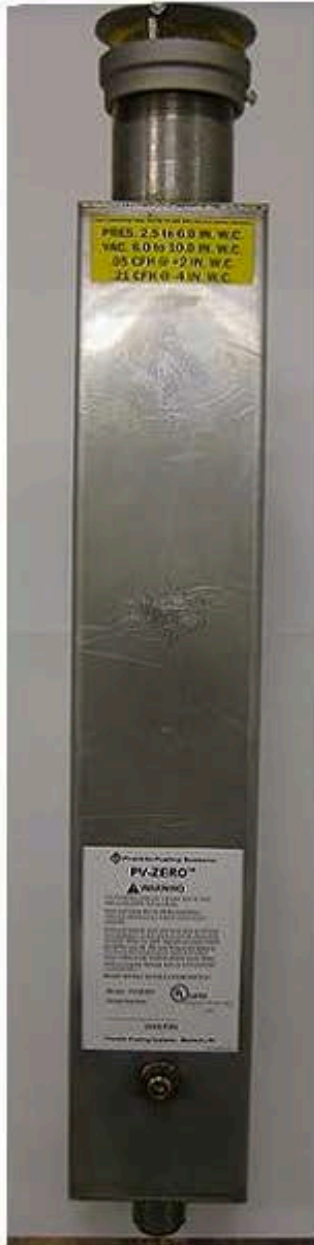
Phil-Tite SWF-100-SS Fill Adaptor



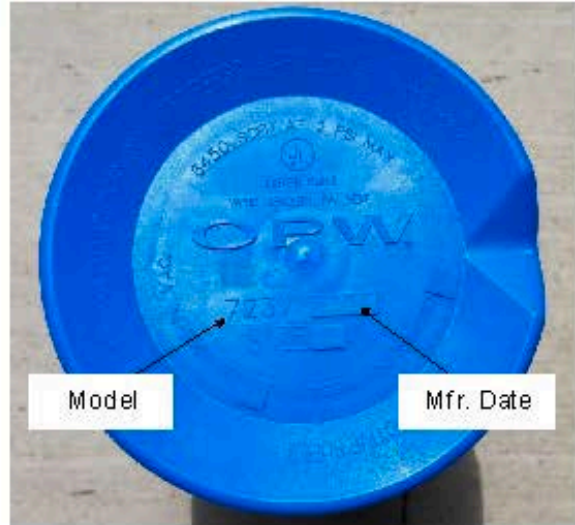
Phil-Tite SWF-101-SS Fill Adaptor

### Component Identification and Location

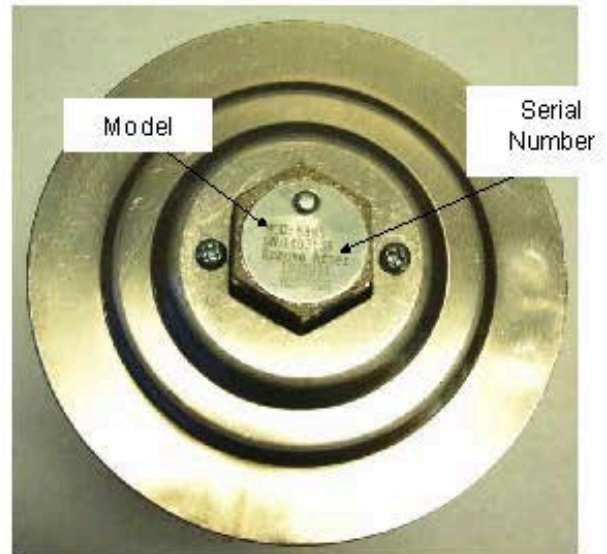
**FFS PV-Zero P/V Vent Valve (Gas/E85)  
(Model and Serial Number on White Tag)**



**OPW 723V P/V Vent Valve (Gas/E85)**



**Husky 5885 P/V Vent Valve (Gas/E85)  
(Husky Name on Bottom Flange)**



## Component Identification and Location

### FFS 804 P/V Vent Valve (Gas/E85)



### Defender Series In-Line Vault (optional)



## Component Identification and Location



**EBW Model 70849X1Y Overfill Prevention Device**  
(Gas Compatible)



**EBW 70849X3Y Autolimiter**  
(Gas/E85 Compatible)

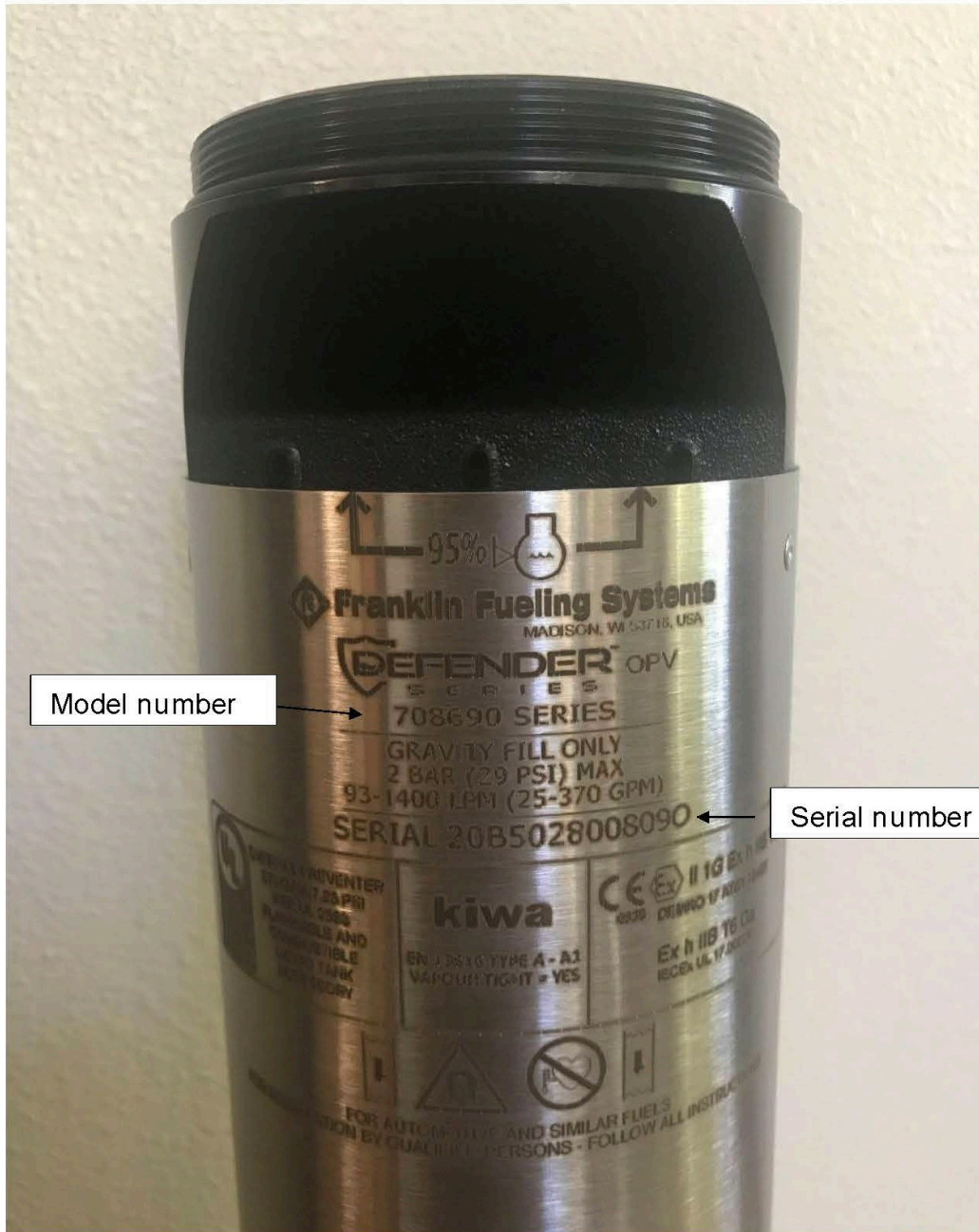


## Component Identification and Location



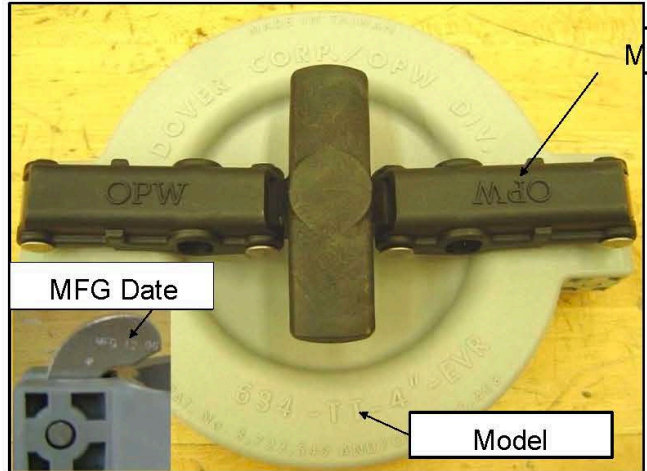
**Defender OPV series 70859X9YZ  
(Gas/E85 compatible)**

## Component Identification and Location

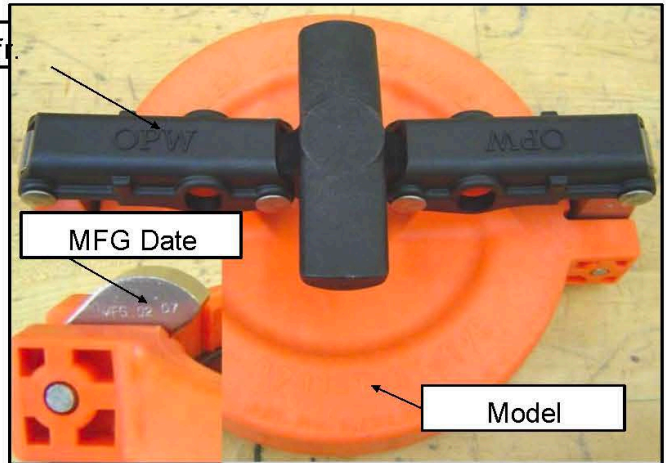


**Defender OPV series 70869X9YZ  
(Gas/E85 compatible)  
Kiwa Label**

### Component Identification and Location



**OPW 634-TT-EVR Product Dust Cap**  
(Gas/E85 Compatible)



**OPW 1711-T-EVR Vapor Dust Cap**  
(Gas/E85 Compatible)



**OPW 634LPC Product Dust Cap**  
(Gas Compatible)



**OPW 1711LPC Vapor Dust Cap**  
(Gas Compatible)

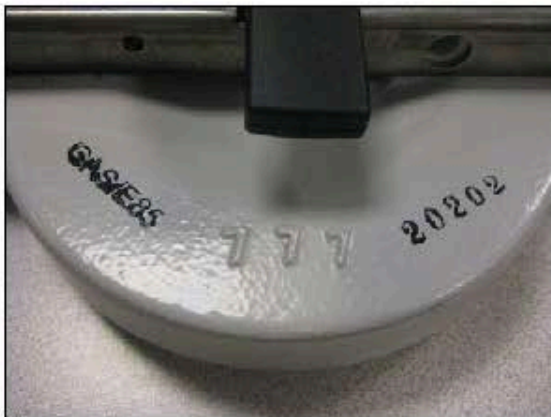
## Component Identification and Location



**EBW 77720102 Product Dust Cap**  
(Gas/E85)



**EBW 30430103 Vapor Dust Cap**  
(Gas/E85)



**EBW 77720202 Product Dust Cap**  
(Gas/E85 Compatible)



**EBW 30420006 Vapor Dust Cap**  
(Gas/E85)

## Component Identification

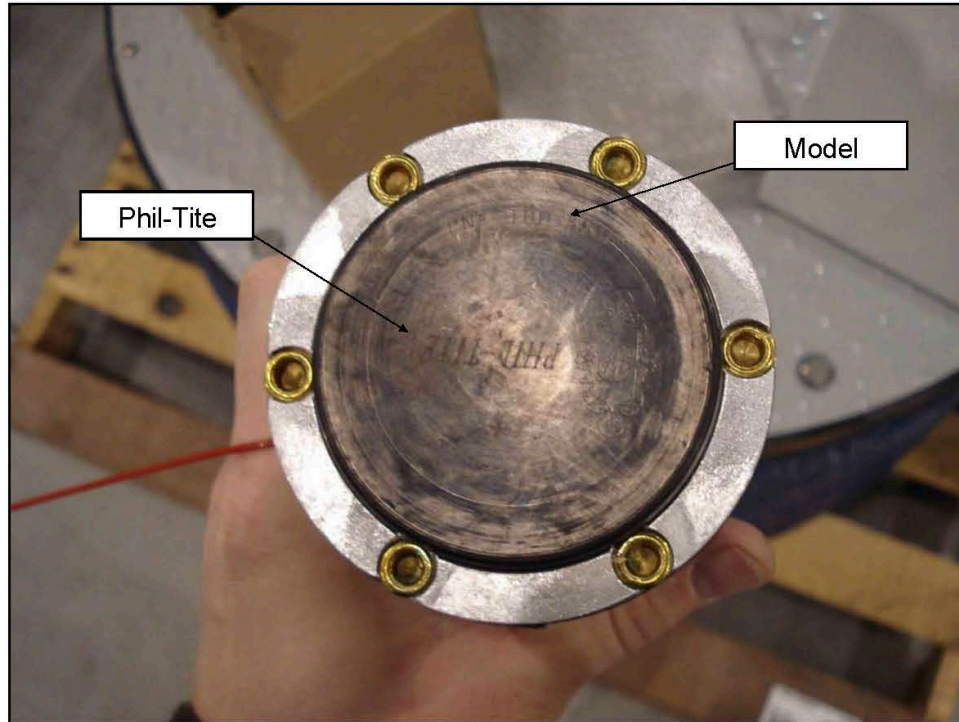


**Morrison Brothers 323C EVR  
Vapor Dust Cap  
(Gas/E85 Compatible)**



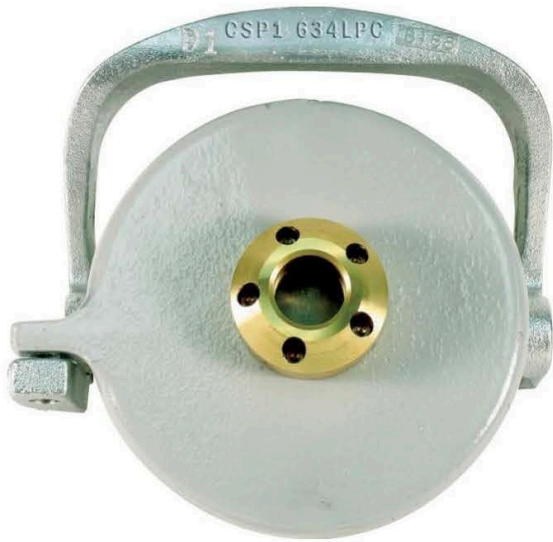
**Morrison Brothers 305C EVR  
Product Dust Cap  
(Gas/E85 Compatible)**

## Component Identification and Location



**Phil-Tite TBP-3516-E (Gas/E85) Series Tank Bottom Protector**

## Component Identification and Location



CompX CSP1-634LPC Product Dust Cap

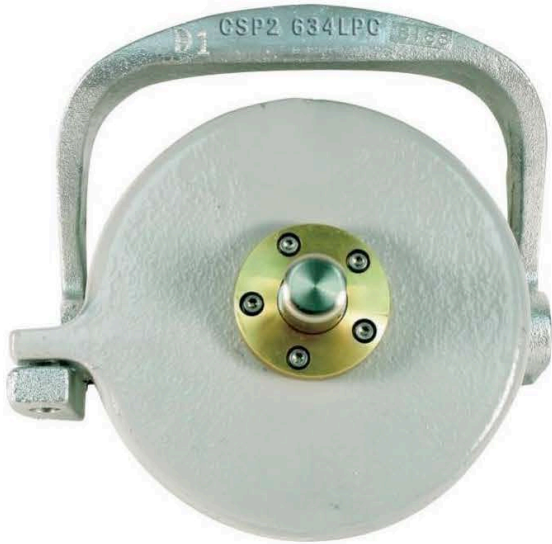


CompX CSP3-1711LPC Vapor Dust Cap  
(Gas Only)



CompX Tank Commander Lid  
Locks onto CSP1-634LPC and CSP3-1711LPC Dust Caps

## Component Identification and Location



CompX CSP2-634LPC Product Dust Cap



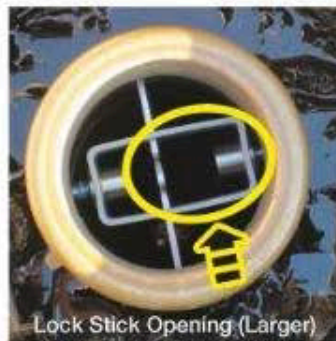
CompX CSP4-1711LPC Vapor Dust Cap (Gas Only)



CompX Tank Commander Lid  
Locks onto CSP2-634LPC and CSP4-1711LPC Dust Caps



## Component Identification and Location



McGard Fuel Lock Installation Position<sup>1</sup>



McGard Fuel Lock (FL1 on Left, FL2 on Right)

<sup>1</sup>Optional component, but if installed this picture shows the correct installation location in the pipe just below the Product Rotatable Adaptor in the drop tube.

## Component Identification and Location



VST VST-EVRPV-100 PV Valve

VST VST-EVRPV-200 PV Valve (w/ Test-In-Place)

Note: Valves do not show -100 or -200, just VST-EVRPV and unique serial number.



VST VST-RC-200 Rain Cap



**Exhibit 2  
VR-101 Revision X**

**Installation, Maintenance and Compliance Specifications**

This Exhibit contains the installation, maintenance and compliance standards and specifications applicable to the Franklin Fueling System (FFS) Phase I system installed in a gasoline dispensing facility (GDF). Table 2-1 summarizes the compliance standard and specification with the corresponding test method. Table 2-2 describes the maintenance interval for the FFS Phase I System components.

**General Specifications**

1. Typical installations of the FFS Phase I system and system components are shown in Figures 2A through 2N.
2. The FFS Phase I system shall be installed, operated and maintained in accordance with the CARB Approved Installation, Operation and Maintenance Manual for the Franklin Fueling Systems, Inc. Phil-Tite/EBW/FFS Phase I Vapor Recovery System.
3. Any repair or replacement of system components shall be done in accordance with the CARB Approved Installation, Operation and Maintenance Manual for the Franklin Fueling Systems, Inc. Phil-Tite/EBW/FFS Phase I Vapor Recovery System.
4. Unless otherwise specified in this Executive Order (EO), the FFS Phase I system shall comply with the applicable performance standards and performance specifications in CP-201.
5. Installation, maintenance and repair of system components, including removal and installation of such components in the course of any required tests, shall be performed by FFS certified technicians. Additional certifications may be required in accordance with District requirements.

**Pressure/Vacuum Vent Valves For Storage Tank Vent Pipes**

1. No more than three certified pressure/vacuum vent valves (P/V valves) listed in Exhibit 1 shall be installed on any GDF underground storage tank system.
2. Compliance determination of the following P/V valve performance specifications shall be at the option of the districts:
  - a. The leak rate of each P/V valve shall not exceed 0.05 cubic feet per hour (CFH) at 2.00 inches of H<sub>2</sub>O positive pressure and 0.21 CFH at -4.00 inches of H<sub>2</sub>O negative pressure as determined by TP-201.1E, Leak Rate and Cracking Pressure of Pressure/Vacuum Vent Valves (October 8, 2003).
  - b. The positive pressure setting is 2.5 to 6.0 inches of H<sub>2</sub>O and the negative pressure setting is 6.0 to 10.0 inches of H<sub>2</sub>O as determined by TP-201.1E, Leak Rate and Cracking Pressure of Pressure/Vacuum Vent Valves (October 8, 2003).
3. Compliance determination of the P/V valve performance specifications in items 2a and 2b for the FFS PV-Zero P/V vent valve shall be conducted with the valve remaining in its installed position on the vent line(s). The PV-Zero portion of the CARB-Approved Installation, Operation

and Maintenance Manual for the Franklin Fueling Systems Phil-Tite/EBW/FFS) Phase I Vapor Recovery System outlines the equipment needed to test the valve in its installed position.

4. A manifold may be installed on the vent pipes to reduce the number of potential leak sources and P/V valves installed. Vent pipe manifolds shall be constructed of steel pipe or an equivalent material that has been listed for use with gasoline. If a material other than steel is used, the GDF operator shall make available information demonstrating that the material is compatible for use with gasoline. One example of a typical vent pipe manifold is shown in Figure 2F. This shows only one typical configuration; other manifold configurations may be used. For example, a tee may be located in a different position, or fewer pipes may be connected, or more than one P/V valve may be installed on the manifold.
5. Each P/V valve shall have permanently affixed to it a yellow, gold, or white colored label with black lettering stating the following specifications:
  - Positive pressure setting: 2.5 to 6.0 inches H<sub>2</sub>O
  - Negative pressure setting: 6.0 to 10.0 inches H<sub>2</sub>O
  - Positive Leakrate: 0.05 CFH at 2.0 inches H<sub>2</sub>O
  - Negative Leakrate: 0.21 CFH at -4.0 inches H<sub>2</sub>O
6. When installing either the VST-EVRPV-100 or VST-EVRPV-200, the VST-RC-200 rain cap must be installed with it. If multiple VST-EVRPV valves are installed, it is permissible to manifold above the VST-EVRPV valves so only a single VST-RC-200 rain cap is installed.
7. Conducting TP-201.1E on the VST-EVRPV-200 PV valve can be performed with the VST Test In Place (TIP) device. This device isolates the PV vent being tested from the rest of the UST system to allow for PV testing without disturbing operations at the site. See Page 4 of the VST-EVRPV portion of the CARB-Approved Installation, Operation and Maintenance (IOM) manual for instructions.
8. The VST Test In Place (TIP) device may be used to isolate the VST-EVRPV-200 PV from the rest of the UST to perform other system pressure tests as needed. See Page 4 of the VST-EVRPV portion of the CARB-Approved Installation, Operation and Maintenance (IOM) manual for instructions.

#### **Rotatable Product and Vapor Recovery Adaptors**

1. Rotatable product and vapor recovery adaptors shall be capable of at least 360-degree rotation and have an average static torque not to exceed 108 inch-pounds (9 foot-pounds). Compliance with this requirement shall be demonstrated in accordance with TP-201.1B, Static Torque of Rotatable Phase I Adaptors (October 8, 2003).
2. The vapor adaptor poppet shall not leak when closed. Compliance with this requirement shall be verified by the use of commercial liquid leak detection solution, or by bagging, when the vapor containment space of the underground storage tank is subjected to a non-zero gauge pressure. (Note: leak detection solution will detect leaks only when positive gauge pressure exists.)

#### **Vapor Recovery and Product Adaptor Dust Caps**

Dust caps with intact gaskets shall be installed on all Phase I tank adaptors.

### **Spill Container Drain Valve**

The spill container drain valve is configured to drain liquid directly into the drop tube and is isolated from the underground storage tank ullage space. The leak rate of the drain valve shall not exceed 0.17 CFH at 2.00 inches H<sub>2</sub>O. Depending on the presence of the drop tube overfill prevention device, compliance with this requirement shall be demonstrated in accordance with either TP-201.1C, Leak Rate of Drop Tube/Drain Valve Assembly (July 12, 2021), or TP-201.1D, Leak Rate of Drop Tube Overfill Prevention Device and Spill Container Drain Valve (July 12, 2021).

### **Drop Tube Overfill Prevention Device**

1. The Drop Tube Overfill Prevention Device (overfill device) is designed to restrict the flow of gasoline delivered to the underground storage when liquid levels exceed a specified capacity. The drop tube overfill device is not a required component of the vapor recovery system, but may be installed as an optional component of the system. Other requirements may apply.
2. The leak rate of the overfill device shall not exceed 0.17 CFH at 2.00 inches H<sub>2</sub>O when tested as in accordance with TP-201.1D, Leak Rate of Drop Tube Overfill Prevention Device and Spill Container Drain Valves (July 12, 2021).
3. The discharge opening of the fill pipe must be entirely submerged when the liquid level is six inches above the bottom of the tank as shown in Figures 2A and 2D.

### **Riser Adaptor**

For "Phil-Tite" series spill container installations, the Riser Adaptor shall provide a machined surface on which a gasket can seal and ensures that the seal is not compromised by an improperly cut or improperly finished riser. A Threaded Riser adaptor shall be installed on the following required connections. As an option, the adaptor may be installed on other connections.

- a. Product Spill Container (required)
- b. Vapor Recovery Spill Container (required)
- c. Tank Gauging Components (required)

For "Defender Series" spill container installations, the Riser Adaptor should only be used with the NPSM (straight thread) base. The Riser Adaptor should not be used with the Defender Series Base with NPT (tapered thread) base. This is applicable for both the vapor and fill/product sides. Field conditions will dictate which base to use. If the existing riser is not cut square, those conditions will require the riser adaptor.

### **Vapor Recovery Riser Offset**

1. The vapor recovery tank riser may be offset from the tank connection to the vapor recovery Spill Container provided that the maximum horizontal distance (offset distance) does not exceed twenty (20) inches. One example of an offset is shown in Figure 2E.
2. A vapor recovery riser shall be offset up to 20 inches horizontal distance with use of commercially available, four (4) inch steel pipe fittings, a Phil-Tite Model M-6050 Vapor Riser Offset, or a combination of the two products. An example of a Phil-Tite Model M-6050 configuration is shown in Figure 2E.

### **Tank Gauge Port Components**

The tank gauge adaptor and cap are paired. Therefore, an adaptor manufactured by one company shall be used only with a cap manufactured by the same company.

### **Warranty**

Each manufacturer listed in Exhibit 1 shall include a warranty tag with the certified component(s). The manufacturer warranty tag, included with each component, shall be provided to the service station owner/operator at the time of installation.

### **Connections and Fittings**

All connections and fittings not specifically certified with an allowable leak rate shall not leak. The absence of vapor leaks shall be verified with the use of commercial liquid leak detection solution (LDS), or by bagging, when the vapor containment space of the underground storage tank is subjected to a non-zero gauge pressure. (Note: leak detection solution will detect leaks only when positive gauge pressure exists).

### **Double Fill Configuration**

A Defender and or Phil-Tite Double Fill Configuration shall be allowed for installation provided that no more than two fill points are installed on any single underground storage tank and that no offset of the vapor recovery riser pipe is installed. An example of this configuration is shown in Figure 2C.

### **Maintenance Records**

Each GDF operator or owner shall keep records of maintenance performed at the facility. Such record shall be maintained on site or in accordance with district requirements or policies. Additional information may be required in accordance with district requirements or policies. The records shall include the maintenance or test date, repair date to correct test failure, maintenance or test performed, affiliation, telephone number, name and Certified Technician Number of individual conducting maintenance or test. An example of a Phase I Maintenance Record is shown in Figure 2O.

**Table 2-1  
Gasoline Dispensing Facility Compliance Standards and Specifications**

<b>A. Component / System</b>	<b>Test Method</b>	<b>a) Standard or Specification</b>
Rotatable Phase I Adaptors	TP-201.1B	Minimum, 360-degree rotation Maximum, 108 pound-inch average static torque
Overfill Prevention Device	TP-201.1D	≤0.17 CFH at 2.00 inches H <sub>2</sub> O
Spill Container Drain Valve	TP-201.1C or TP-201.1D	≤0.17 CFH at 2.00 inches H <sub>2</sub> O
P/V Valve <sup>1</sup>	TP-201.1E	Positive pressure setting: 2.5 to 6.0 inches H <sub>2</sub> O Negative pressure setting: 6.0 to 10.0 inches H <sub>2</sub> O Positive Leakrate: 0.05 CFH at 2.0 inches H <sub>2</sub> O Negative Leakrate: 0.21 CFH at -4.0 inches H <sub>2</sub> O
Vapor Recovery System	TP-201.3	As specified in TP-201.3 and/or CP-201
Connections and fittings certified without an allowable leak rate	Leak Detection Solution or bagging	No leaks

<sup>1</sup> Compliance determination is at the option of the district.

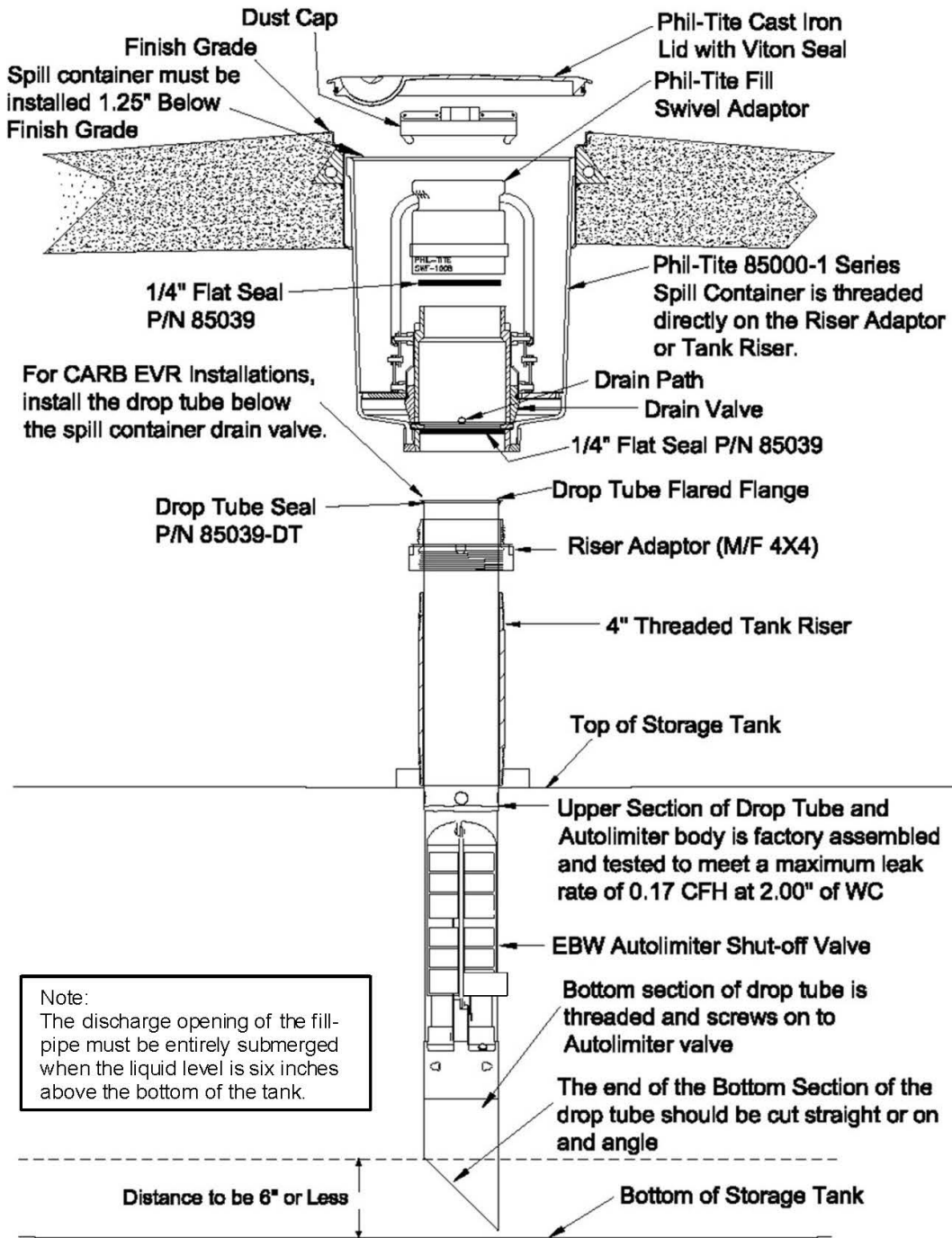


**Table 2-2  
Maintenance Intervals for System Components<sup>2</sup>**

<b>Manufacturer</b>	<b>Component</b>	<b>Maintenance Interval</b>
All Models	Dust Caps	Annual
All Models	In Tank Gauge Port Probe Cap and Adaptor Kit	Annual
FFS	Drop Tube Overfill Prevention Device 70849X1Y series Drop Tube Overfill Prevention Device 70849X3Y series Drop Tube Overfill Prevention Device 70859X9YZ series Drop Tube Overfill Prevention Device 70869X9YZ series	Annual
FFS	782 Straight Drop Tube	Annual
Husky	Pressure/Vacuum Vent Valve	Annual
FFS	Pressure/Vacuum Vent Valve	Annual
OPW	Pressure/Vacuum Vent Valve	Annual
OPW	61-T Straight Drop Tube	Annual
FFS	Spill Container (all models)	Every 3 years
FFS	SWF-100-B Product Adaptor SWF-100-SS Product Adaptor	Annual
FFS	SWW-101-B Vapor Adaptor SWW-101-SS Vapor Adaptor	Annual

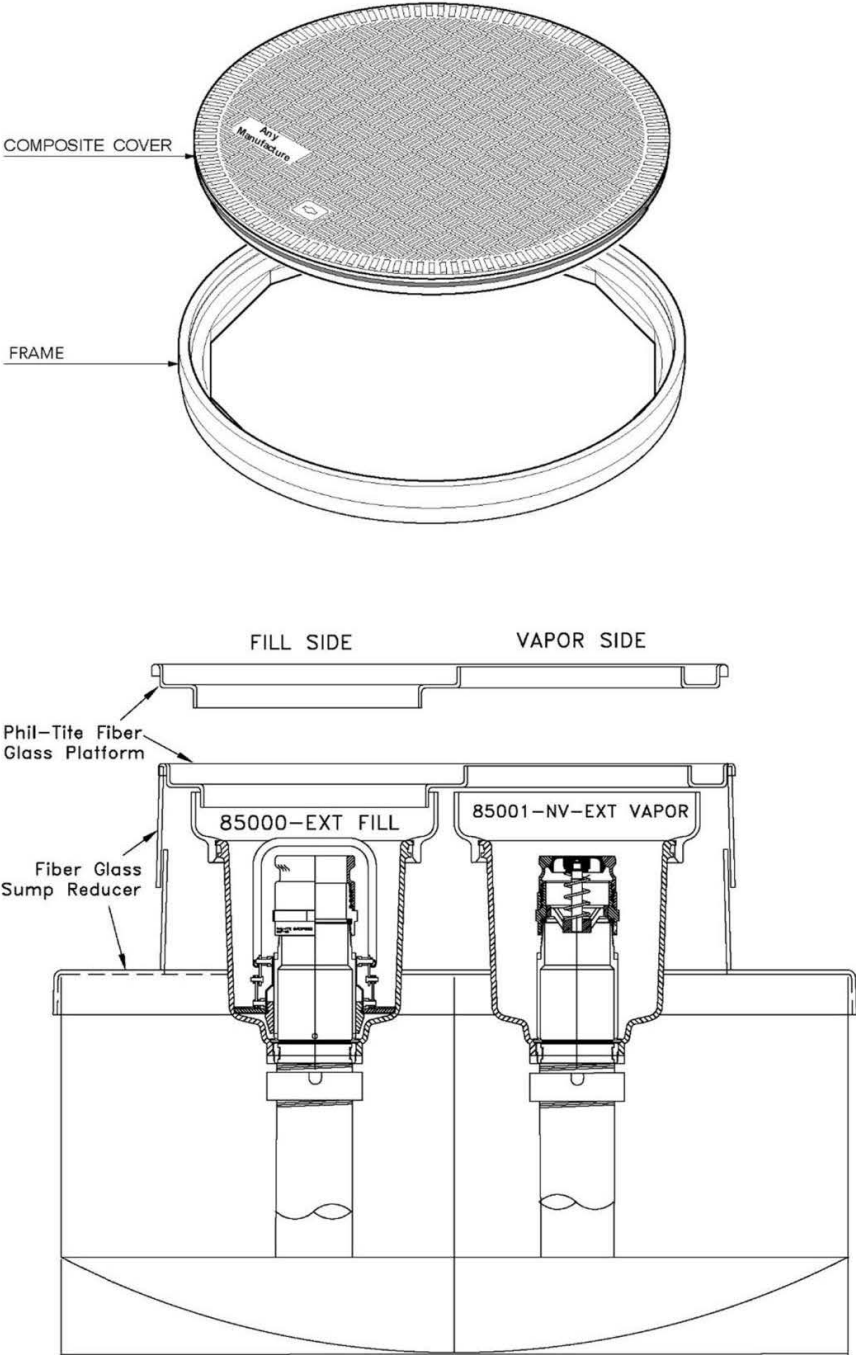
<sup>2</sup> Maintenance must be conducted within the interval specified from the date of installation and at least within the specified interval thereafter.

**Figure 2A**  
**Typical Product Side Installation of Phil-Tite System Using EBW Autolimiter II 70849X Series**  
**(Defender OPV series 70859X9YZ, 70869X9YZ alternate component)<sup>3</sup>**



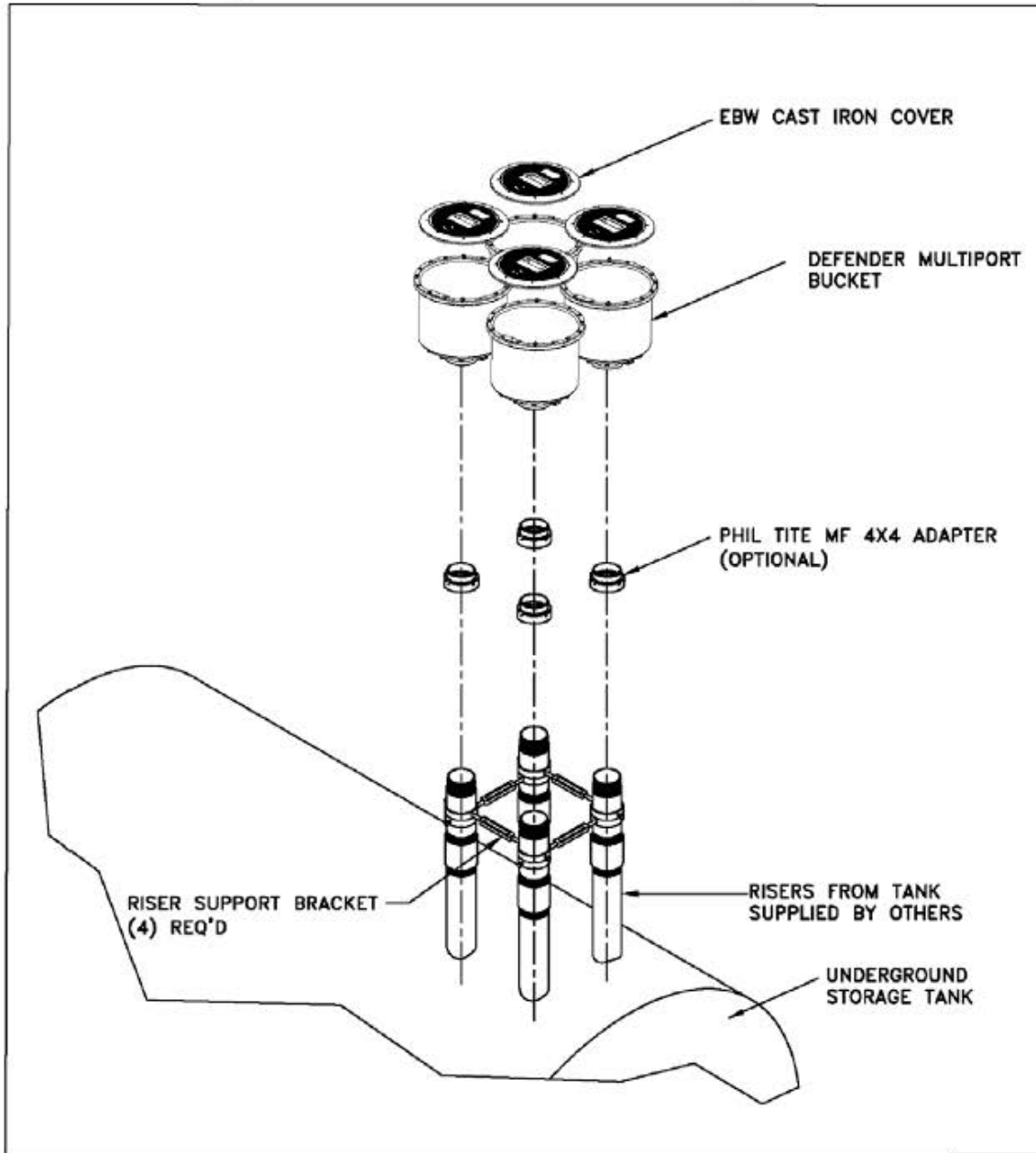
<sup>3</sup> McGard FL1 or FL2 Fuel lock (Optional- Not Pictured), if installed, would be positioned inside the riser seal (or pipe nipple) below the rotatable adaptor.

**Figure 2B**  
**Alternate Phil-Tite Sump Configuration<sup>4</sup>**

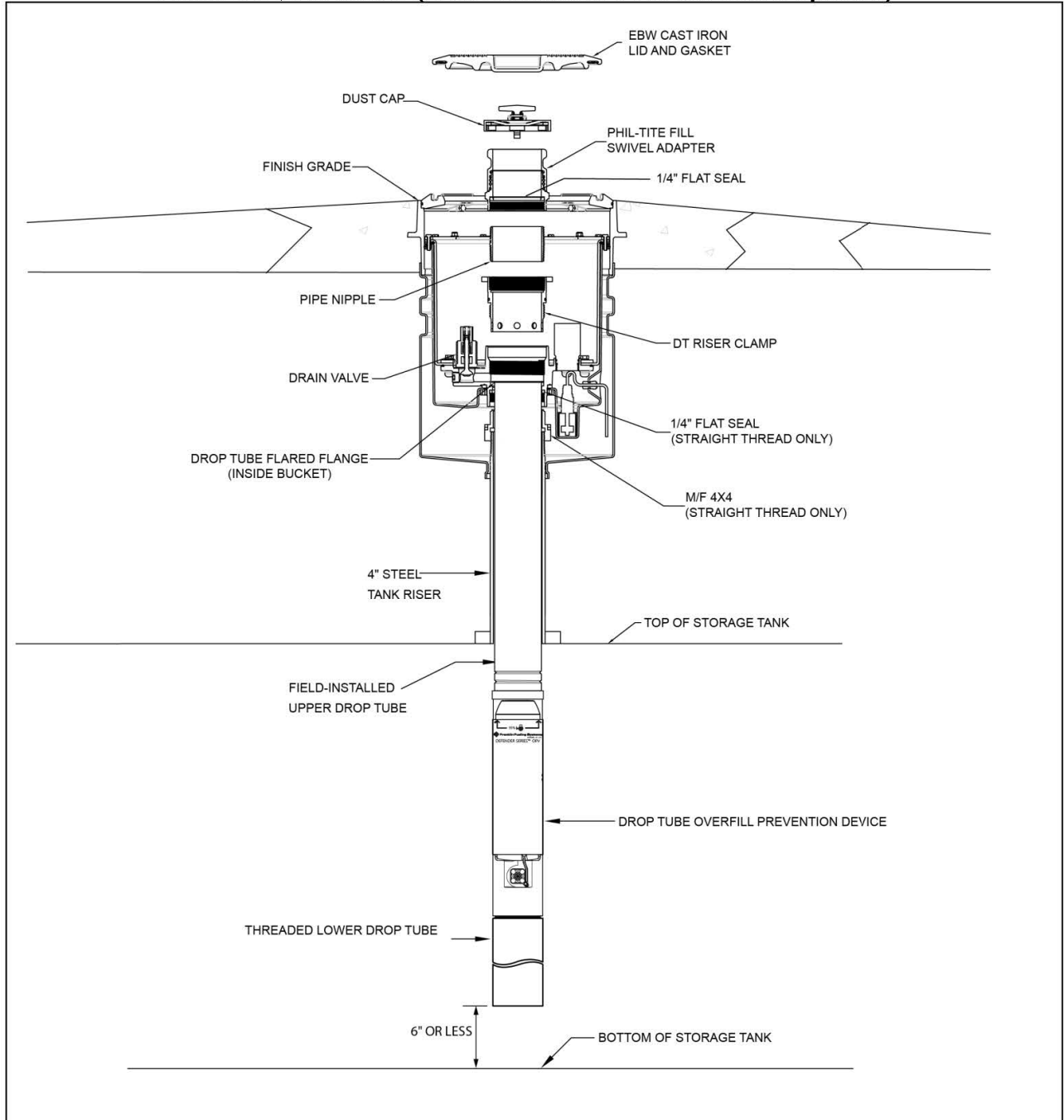


<sup>4</sup> McGard FL1 or FL2 Fuel lock (Optional- Not Pictured), if installed, would be positioned inside the riser seal (or pipe nipple) below the rotatable adaptor.

Figure 2C  
Typical Defender/Phil-Tite Double Fill Configuration

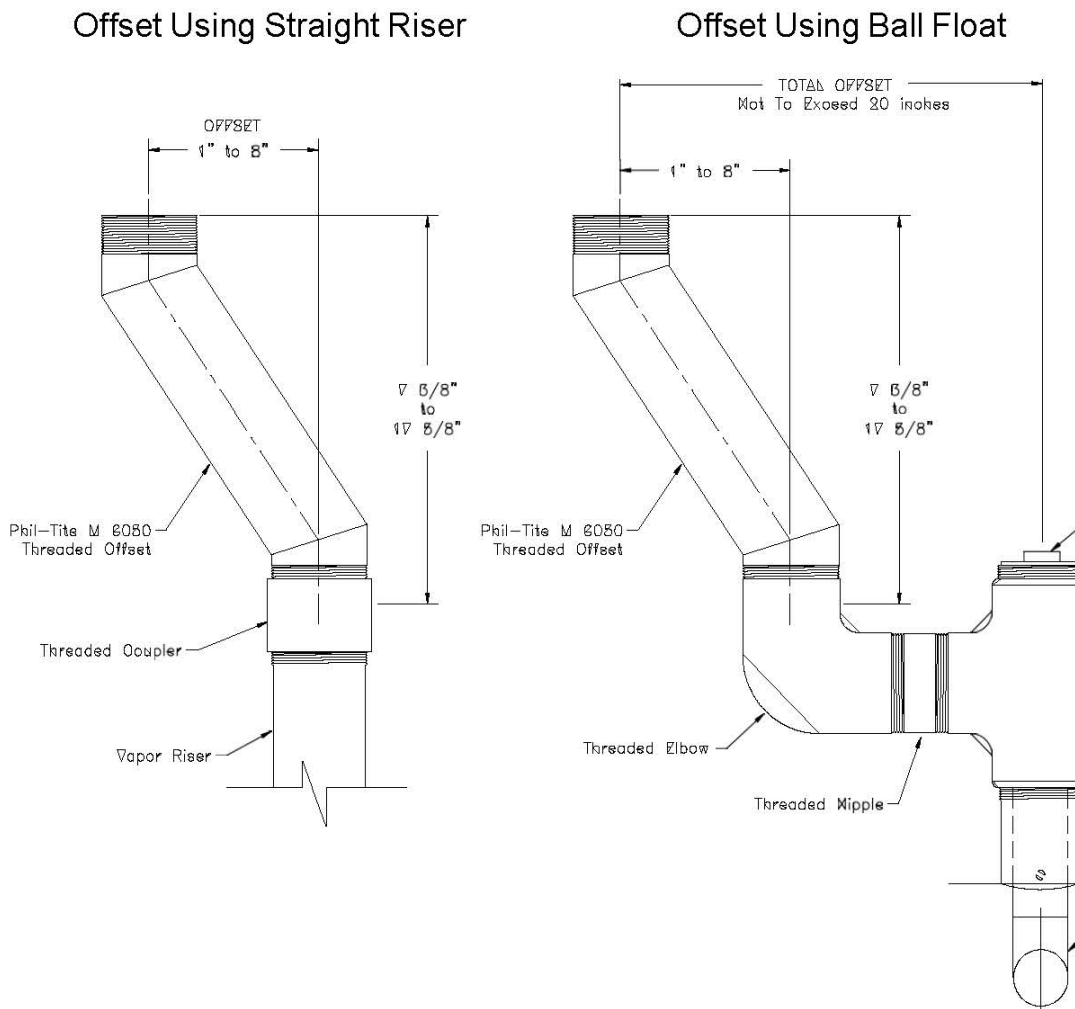


**Figure 2D**  
**Typical Product Installation of Defender Series Spill Container Using Defender OPV series 70859X9YZ, 70869X9YZ (EBW Autolimiter II 70849X Series optional)<sup>5</sup>**



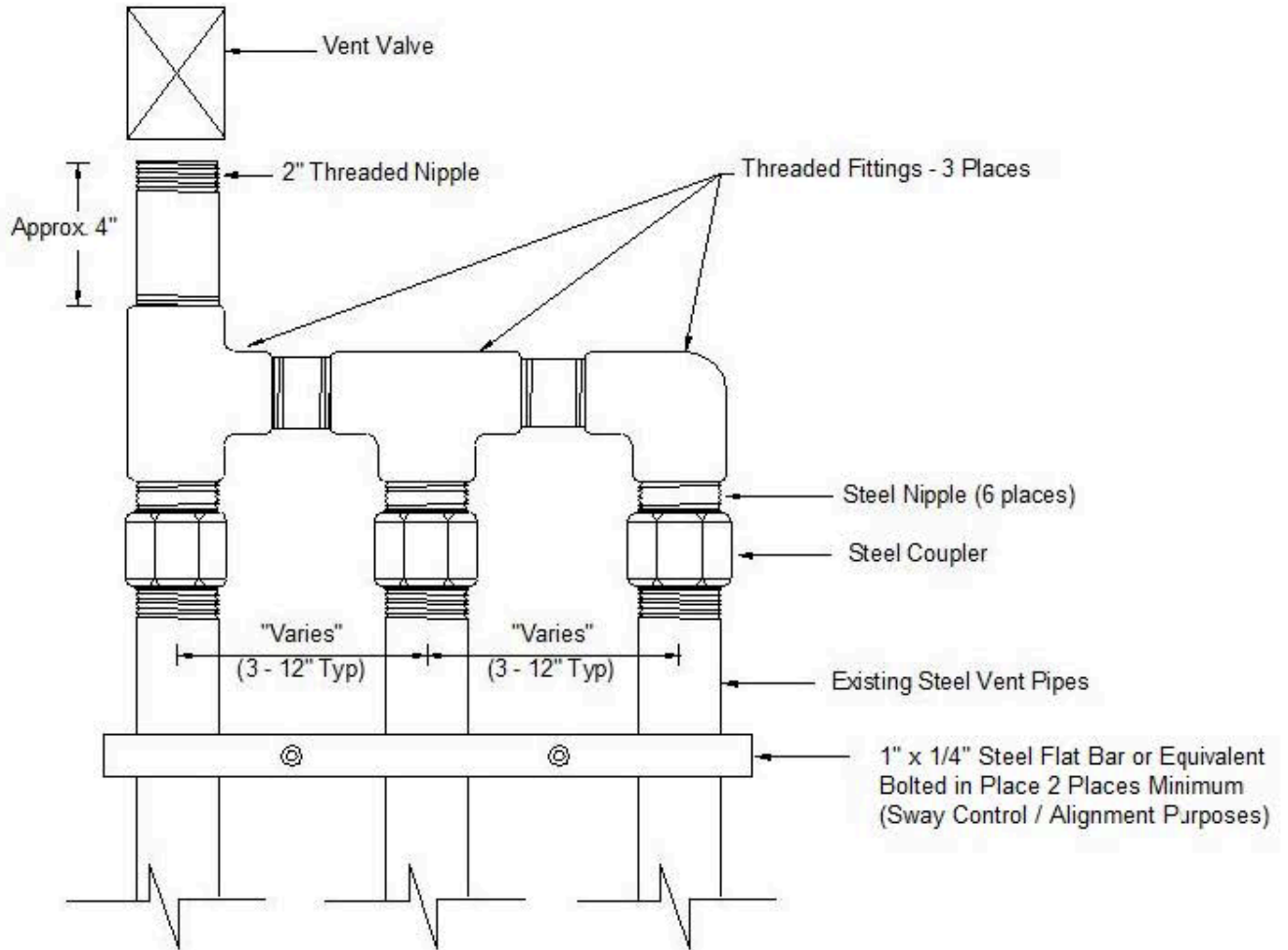
<sup>5</sup> McGard FL1 or FL2 Fuel lock (Optional- Not Pictured), if installed, would be positioned inside the riser seal (or pipe nipple) below the rotatable adaptor.

**Figure 2E**  
**Typical Phil-Tite Model M-6050 Vapor Recovery Riser Offset**



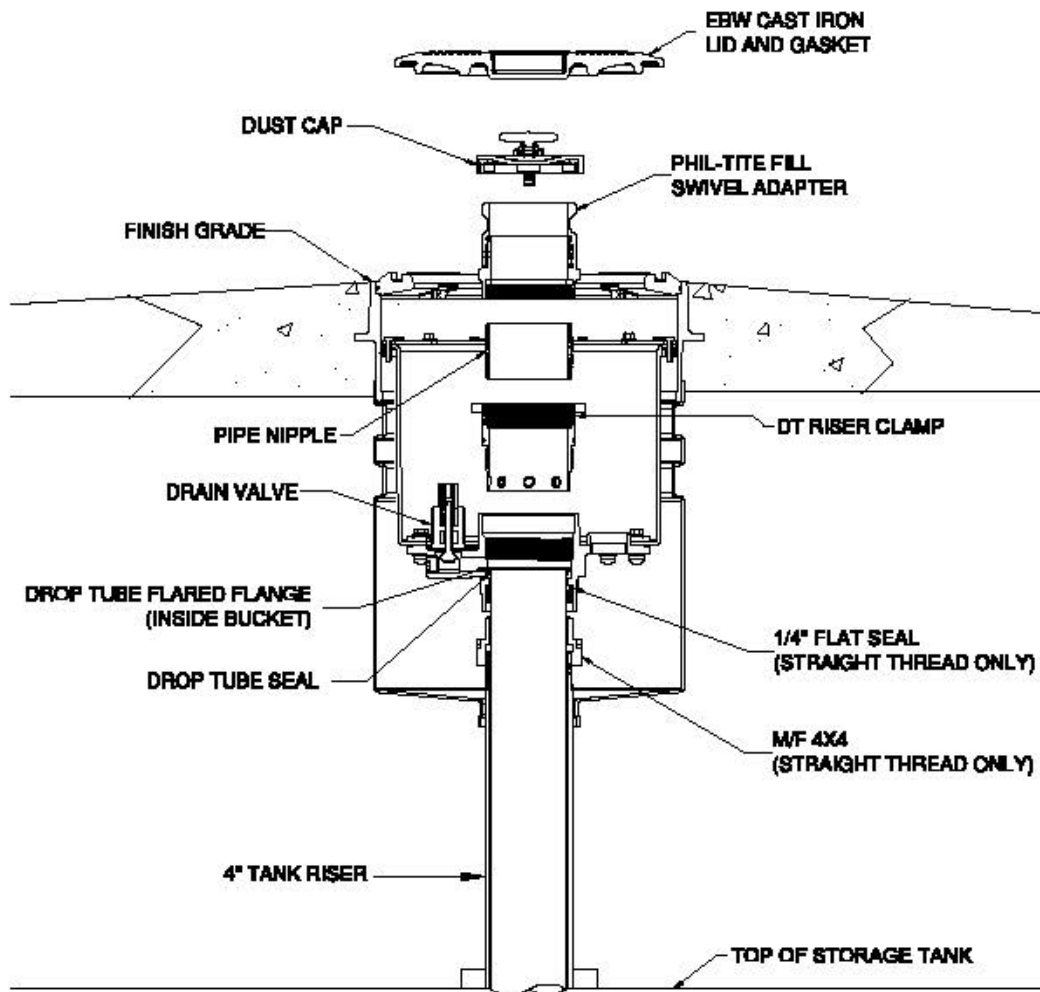
**Note:** These figures represent instances where a vapor recovery riser has been offset in order to construct a two-point Phase I vapor recovery system. The figure on the right illustrates an offset using a 90-degree elbow. However, in some instances, elbows less than 90 degrees may be used. All fittings and pipe nipples shall be 4-inch diameter similar to those of the spill container and rotatable Phase I adaptors in order to reduce back pressure during a gasoline delivery.

**Figure 2F**  
**Typical Vent Pipe Manifold**



**Note:** This shows one typical configuration; other manifold configurations may be used. For Example, a tee may be located in a different position, or fewer pipes may be connected, or more than one P/V valve may be installed on the manifold

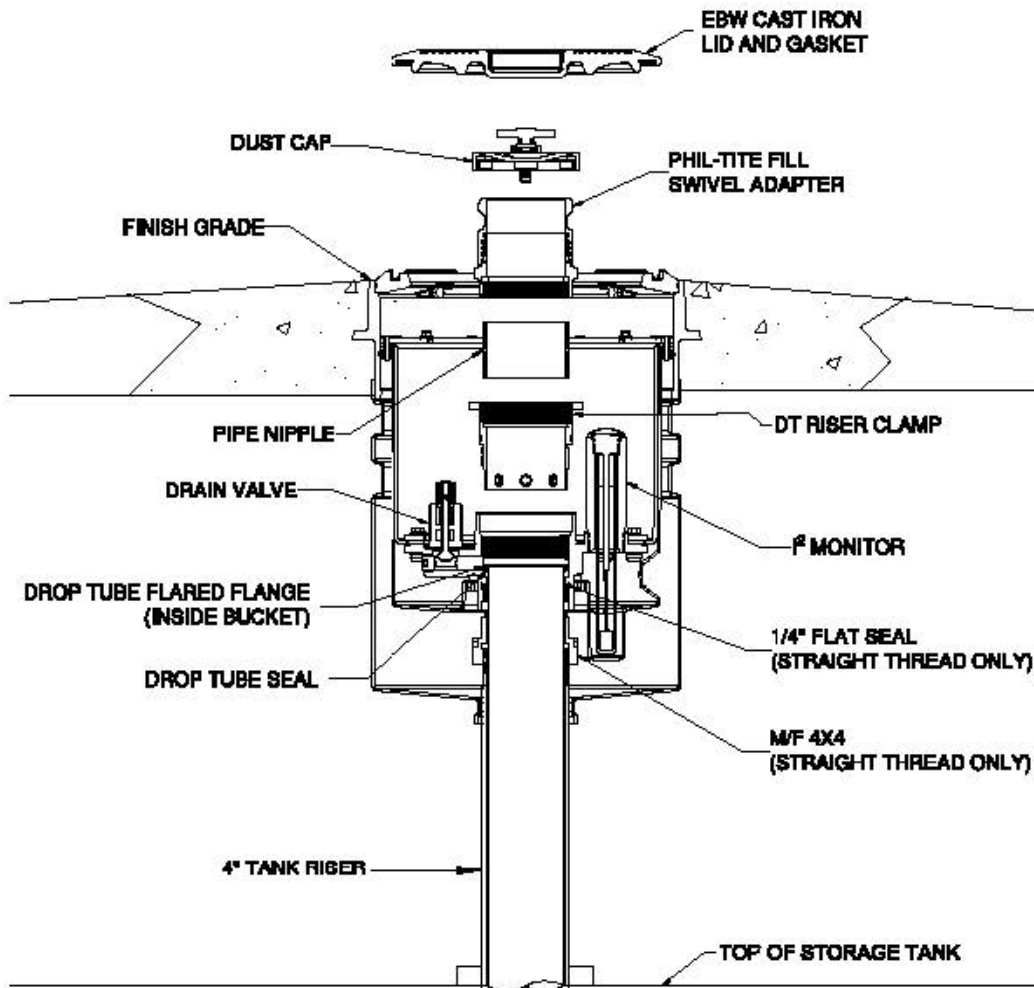
Figure 2G  
 Typical Product Side Installation of Defender Series Spill Container: Single Wall Direct Bury Configuration<sup>6</sup>



<sup>6</sup> McGard FL1 or FL2 Fuel lock (Optional-Not Pictured), if installed, would be positioned inside the riser seal (or pipe nipple) below the rotatable adaptor.

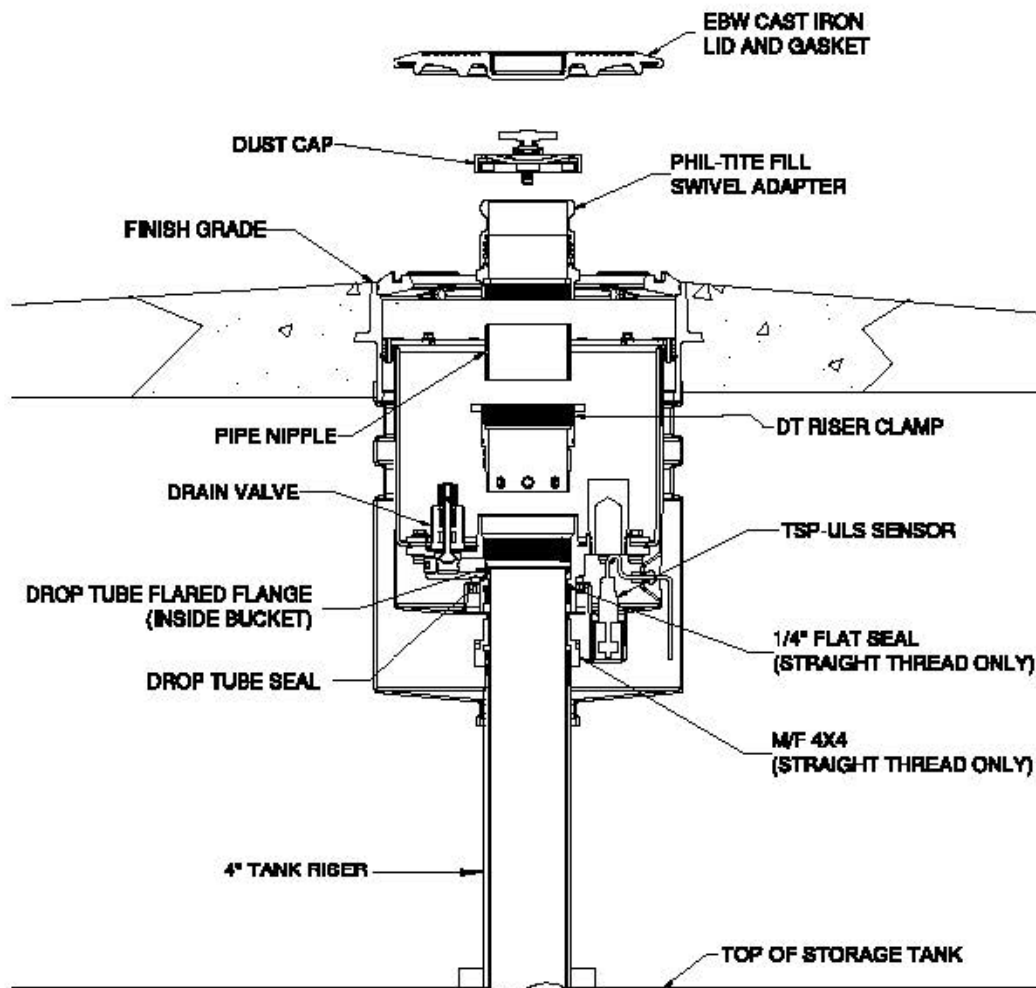


Figure 2H  
 Typical Product Side Installation of Defender Series Spill Container: Double Wall Direct Bury Configuration with 1" Monitor<sup>7</sup>



<sup>7</sup> McGard FL1 or FL2 Fuel lock (Optional-Not Pictured), if installed, would be positioned inside the riser seal (or pipe nipple) below the rotatable adaptor.

Figure 21  
 Typical Product Side Installation of Defender Series Spill Container: Double Wall Direct Bury Configuration with TSP-ULS Liquid Sensor<sup>8</sup>



<sup>8</sup>McGard FL1 or FL2 Fuel lock (Optional-Not Pictured), if installed, would be positioned inside the riser seal (or pipe nipple) below the rotatable adaptor.

Figure 2J  
Typical Vapor Recovery Side Installation of Defender Series Spill Container Single Wall Direct Bury Configuration

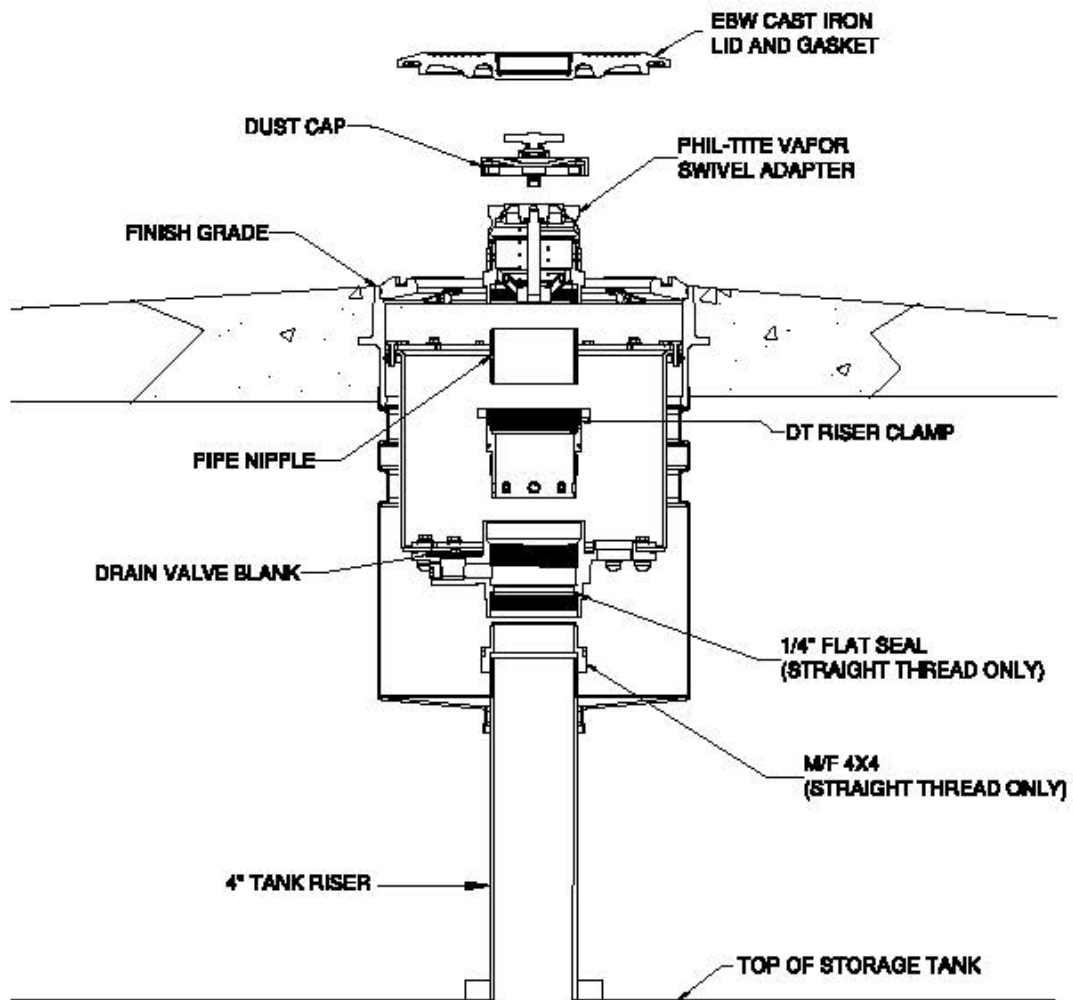


Figure 2K  
Typical Vapor Recovery Side Installation of Defender Series Spill Container Double Wall Direct Bury Configuration with 1" Monitor

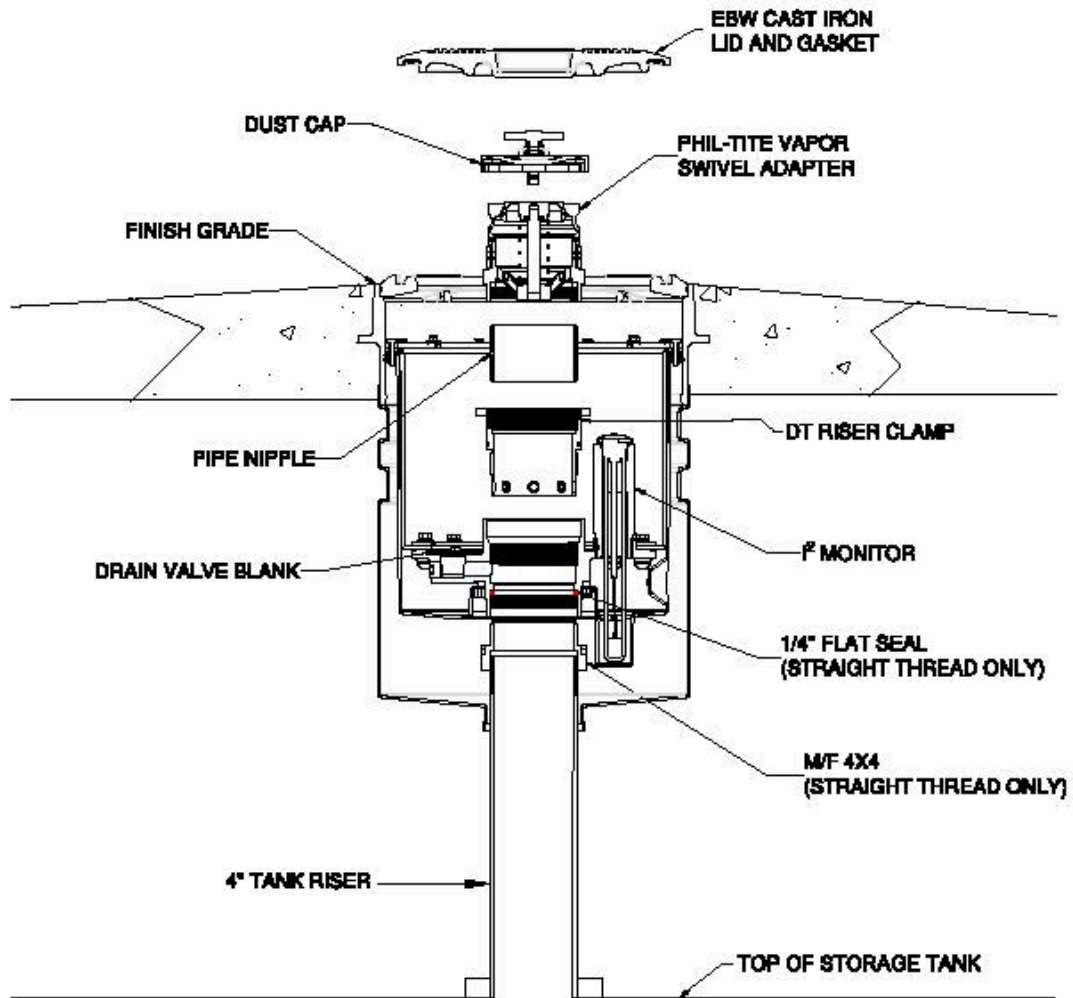
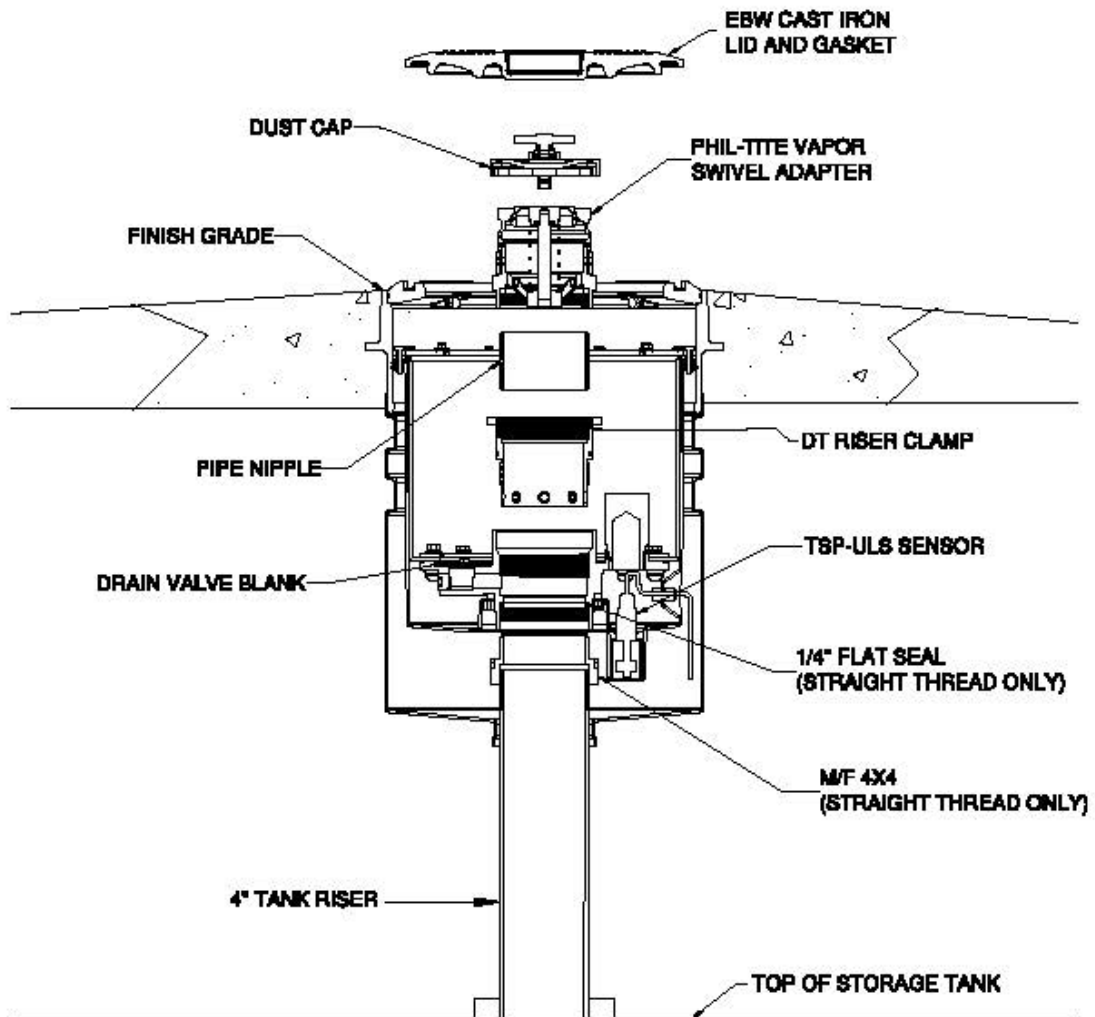
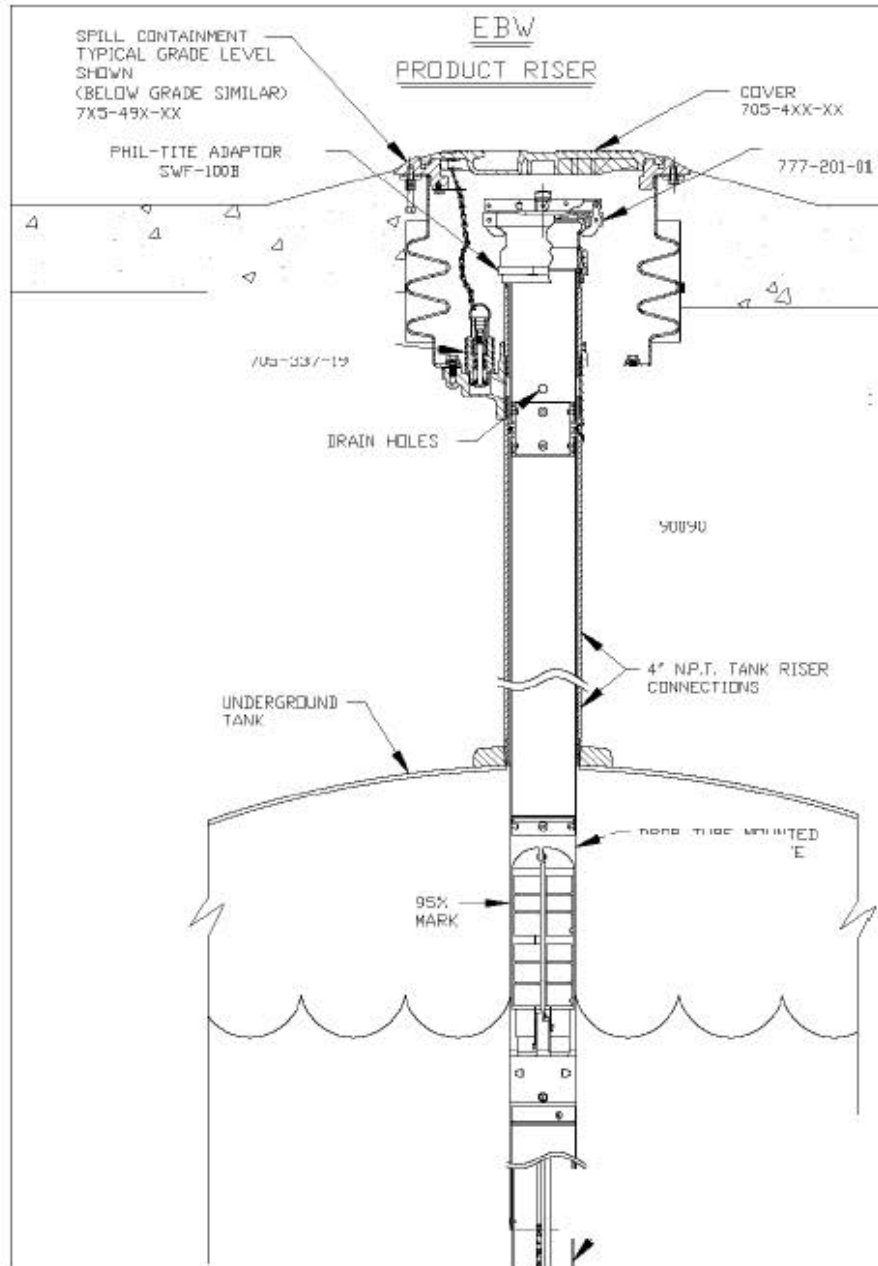


Figure 2L  
Typical Vapor Recovery Side Installation of Defender Series Spill Container Double Wall Direct Bury Configuration with TSP-ULS Liquid Sensor



**Figure 2M**  
**Typical Product Side Installation using EBW system**  
**(Defender OPV series 70859X9YZ, 70869X9YZ optional)<sup>9</sup>**



<sup>9</sup> McGard FL1 or FL2 Fuel lock (Optional- Not Pictured), if installed, would be positioned inside the riser seal (or pipe nipple) below the rotatable adaptor.

**Figure 2N**  
**Typical Vapor Recovery Installation using EBW system**

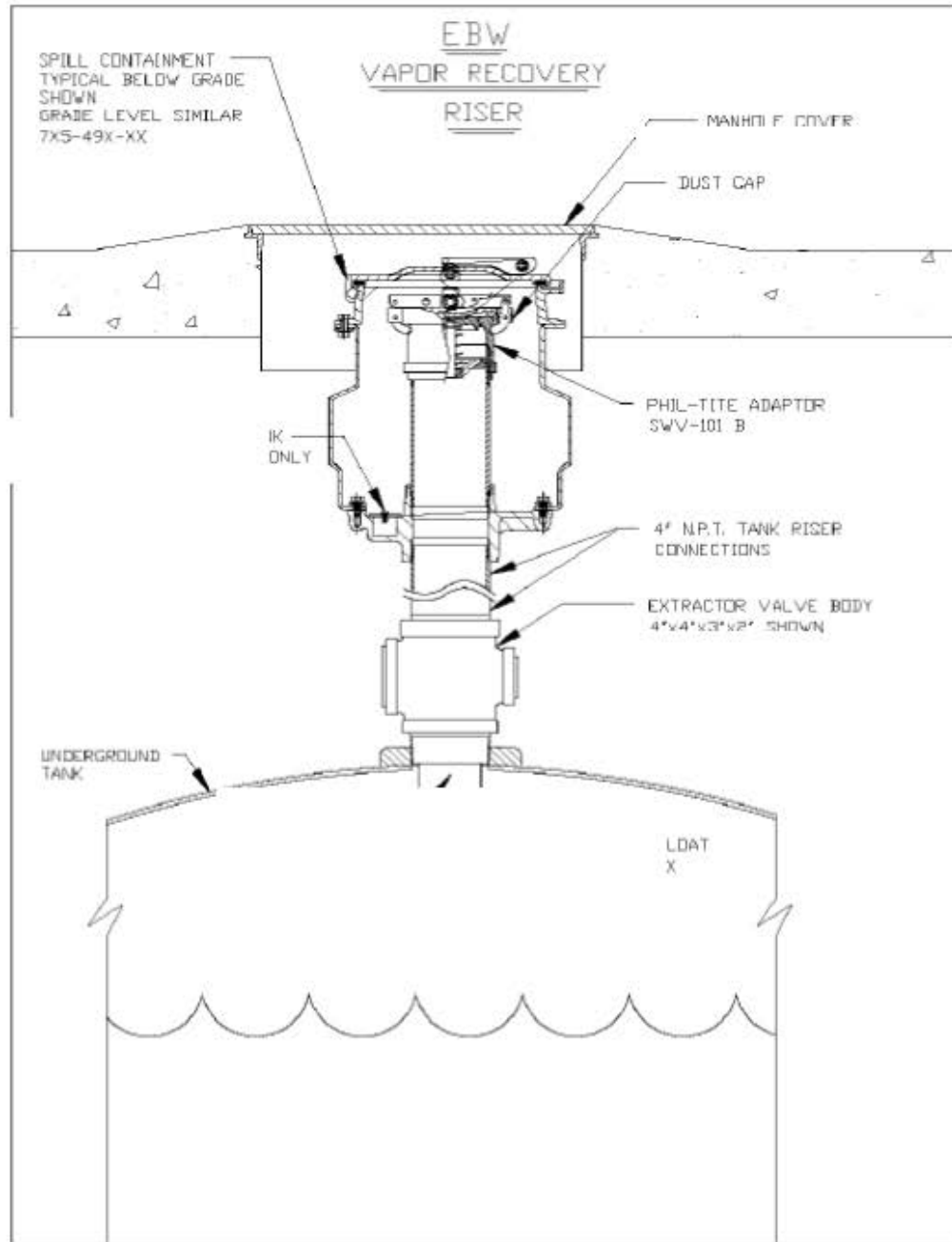


Figure 20

Example of a GDF Phase I Maintenance Record

Date of Maintenance/ Test/Inspection/ Failure	Repair Date to Correct Test Failure	Maintenance/Test/Inspection Performed and Outcome	Affiliation	Name and Certification Technician Number of Individual Conducting Maintenance or Test(s)	Telephone Number





**EXHIBIT 3  
VR-101 Revision X**

**Manufacturing Performance Standards and Specifications**

The Franklin Fueling Systems system and all components shall be manufactured in compliance with the performance standards and specifications in CP-201, as well as the requirements specified in this Executive Order. All components shall be manufactured as certified; no change to the equipment, parts, design, materials or manufacturing process shall be made unless approved in writing by the Executive Officer or his delegate. Unless specified in Exhibit 2 or in the CCARB approved Installation, Operation and Maintenance Manual for the Phil-Tite/EBW/FFS Phase I Vapor Recovery System, the requirements of this section apply to the manufacturing process and are not appropriate for determining the compliance status of a GDF.

**Pressure/Vacuum Vent Valves for Storage Tank Vent Pipes**

1. Each Pressure/Vacuum Vent Valve (P/V valve) shall be performance tested at the factory for cracking pressure and leak rate at each specified pressure setting and shall be done in accordance with TP-201.1E, Leak Rate and Cracking Pressure of Pressure/Vacuum Vent Valves (October 8, 2003).
2. Each P/V valve shall be shipped with a card or label stating the performance specifications listed in Table 3-1, and a statement that the valve was tested to, and met, these specifications.
3. Each P/V valve shall have permanently affixed to it a yellow, gold, or white colored label with black lettering listing the positive and negative pressure settings and leak rate standards listed in Table 3-1. The lettering of the positive and negative pressure settings and leak rate standards on the label shall have a minimum font size of 20.

**Rotatable Product and Vapor Recovery Adaptors**

1. The rotatable product and vapor recovery adaptors shall not leak.
2. The product adaptor cam and groove shall be manufactured in accordance with the cam and groove specifications shown in Figure 3A of CP-201.
3. The vapor recovery adaptor cam and groove shall be manufactured in accordance with the cam and groove specifications shown in Figure 3B of CP-201.
4. Each product and vapor recovery adaptor shall be tested at the factory to, and met, the specifications listed in Table 3-1 and shall have affixed to it a card or label listing these performance specifications and a statement that the adaptor was tested to, and met such specifications.

### Spill Container and Drain Valves

Each Spill Container Drain Valve shall be tested at the factory to, and met, the specification listed in Table 3-1 and shall have affixed to it a card or label listing the performance specification and a statement that the valve was tested to, and met, such performance specification.

### Drop Tube Overfill Prevention Device

Each Drop Tube Overfill Prevention Device shall be tested at the factory to, and met, the specification listed in Table 3-1 and shall have affixed to it a card or label listing the performance specification and a statement that the device was tested to, and met, such performance specification.

**Table 3-1  
Manufacturing Component Standards and Specifications**

<b>A. Component</b>	<b>Test Method</b>	<b>Standard or Specification</b>
Rotatable Phase I Adaptors	TP-201.1B	Minimum, 360-degree rotation Maximum, 108 pound-inch average static torque
Rotatable Phase I Adaptors	Micrometer	Cam and Groove Specifications (CP-201)
Overfill Prevention Device	TP-201.1D	½0.17 CFH at 2.00 inches H <sub>2</sub> O
Spill Container Drain Valve	TP-201.1C or TP-201.1D	½0.17 CFH at 2.00 inches H <sub>2</sub> O
Pressure/Vacuum Vent Valve	TP-201.1E	Positive Pressure: 2.5 to 6.0 inches H <sub>2</sub> O Negative Pressure: 6.0 to 10.0 inches H <sub>2</sub> O Leak rate: } 0.05 CFH at +2.0 inches H <sub>2</sub> O } 0.21 CFH at -4.0 inches H <sub>2</sub> O

**EXHIBIT 4  
VR-101 REVISION X**

**Manufacturer Warranties**

This exhibit includes the manufacturer warranties for all components listed in Exhibit 1, including replacement parts and subparts. The manufacturer warranty tag, included with each component, shall be provided to the service station owner/operator at the time of installation.

**Franklin Fueling Systems Warranty Statement and Tag**

Franklin Fueling Systems (FFS) Enhanced Vapor Recovery (EVR) products are offered for sale under the brand names of Healy, INCON, Phil-Tite, EBW, and Franklin Fueling Systems (collectively referred to as "FFS EVR products"). FFS EVR products are fully tested at the time of manufacture to meet the applicable performance standards and specifications to which it was certified by the California Air Resource Board (CCARB) for the duration of the warranty period, as indicated in the related CCARB Executive Order (EO). Performance standards and specifications are listed in Exhibit 2 (System/Compliance Specifications) and Exhibit 3 (Manufacturing Performance Standards) in the related CCARB EO.

FFS warrants that FFS EVR products installed in California will conform to the warranty terms and conditions required by the California Certification Procedure for Vapor Recovery Systems at Gasoline Dispensing Facilities (CP-201) with respect to (a) transferability of warranties for FFS EVR products, (b) design changes to FFS EVR products, (c) performance specifications of the FFS EVR products, and (d) duration of the warranty period of FFS EVR products.

FFS EVR products are warranted to the initial purchaser, and any subsequent purchaser within the warranty period, for workmanship, performance, and materials when properly installed, used and maintained in accordance with the CCARB Approved Installation, Operation, and Maintenance Manuals by certified technicians or an owner/operator as defined in the related CCARB EO and to generally accepted industry standards.

FFS reserves the right to make changes in the design or to make additions or improvements with respect to FFS EVR products without incurring any obligation to modify or install same on previously manufactured products, upon written approval from CCARB.

FFS reserves the right to change or cancel all or any part of this limited warranty, upon written approval from CCARB. Any such change or cancellation will be effective for products sold by FFS after the date of such change or cancellation. No agents, distributors, dealers, or employees of FFS are authorized to make modifications to this warranty or to make additional warranties with respect to any FFS EVR products. Accordingly, any statements made by individuals, whether oral or written, shall not constitute a warranty of FFS and shall not be relied upon.

FFS warrants the workmanship and materials of FFS EVR products to be free of defects, at the time of sale by FFS, for a period of one year (12 months) from the date of installation. When warranty for FFS EVR products cannot be verified to date of installation, claims will be honored for a period of fifteen (15) months from the date of purchase. When warranty for FFS EVR product cannot be verified to date of installation or date of purchase, claims will be honored for a period of eighteen (18) months from date of manufacture by FFS (for location of date of manufacture on components, see related CCARB EO Exhibit 1 – Equipment List). In all cases, installation date or purchase date will require providing formal documentation to FFS as

evidence of applicable warranty coverage or date of manufacture will be used to determine duration of warranty period. Formal documentation may include, but is not limited to, FFS authorized service company and distributor work orders, startup/installation documentation, maintenance logs, and/or sales receipts.

FFS shall not be liable for any loss or damage whatsoever, including, without limitation, loss in profits, loss in sales, loss of fuel or other products, loss of use of equipment, facilities or service, costs of environmental remediation, diminution in property value, or any other special, incidental or consequential damages of any type or nature, and all such losses or damages are hereby disclaimed and excluded from this limited warranty.

Use of non-FFS replacement parts, the unauthorized addition of non-FFS items to FFS EVR products, and the unauthorized alteration of FFS EVR products will void warranty. FFS shall, as to each defect, be relieved of all obligations and liabilities under a components warranty if the FFS EVR products have been operated with any accessory, equipment, or a part not specifically approved by FFS and not manufactured by FFS to FFS design and specifications.

FFS EVR product warranty shall not apply to any products which have been mishandled, incorrectly installed or applied, altered in any way, which has been repaired by any party other than qualified technicians, or when such failure is due to misuse or conditions of use (such as, but not limited to, blown fuses, sheared breakaway screws, corrosion damage, negligence, accidents, or normal wear of plastic/rubber parts including scuff guards and seals). FFS EVR product warranty shall not apply to acts of terrorism, acts of war, or acts of God (such as, but not limited to, fire, flood, earthquake, or explosion). Unless otherwise expressly provided in a specific FFS written warranty, FFS does not provide coverage for labor or shipping charges, shall not be liable for any costs or charges attributable to any product testing, maintenance, installation, repair or removal, or any tools, supplies, or equipment need to install, repair, or remove any FFS EVR product.

Other than those FFS EVR products specifically designated for fuel concentrations of 85% ethanol with 15% gasoline (E85), FFS EVR product warranty shall not cover any components that have been in contact with fuel concentrations greater than 15% ethanol or 15% methanol by volume (up to E15/M15).

Claims for FFS EVR product warranty must be submitted in writing promptly after discovery of a defect with a Returned Goods Authorization (RGA) Number from FFS. FFS will honor warranty claims processed through FFS authorized service companies and distributors only. FFS will honor warranty claims submitted no more than thirty (30) days after the end of the applicable warranty period. Product returned for warranty inspection must be shipped freight prepaid to FFS's facilities, with the RGA Number indicated on the returned product, to the following address for inspection:

INCON branded products:  
Franklin Fueling Systems, Inc.  
ATTN: Warranty Department  
34 Spring Hill Road  
Saco, ME 04072 USA

All other FFS EVR Products:  
Franklin Fueling Systems, Inc.  
ATTN: Warranty Department  
3760 Marsh Road  
Madison, WI 53718 USA

Franklin Fueling Systems, upon inspection and after determination of a warranty defect, will at its option, repair or replace defective parts returned to FFS's facility or where the product is in use. Repaired or replaced parts will be returned freight prepaid by FFS

A copy of this limited warranty is to be retained with the equipment, on-site with the facility owner/operator.

Component Model Number : \_\_\_\_\_

Component Date of Manufacturer : \_\_\_\_\_

Component Install Date : \_\_\_\_\_

Facility Name : \_\_\_\_\_

Facility Address : \_\_\_\_\_

Installer Name : \_\_\_\_\_

Installer Signature : \_\_\_\_\_

**Morrison Bros. Co. Warranty Statement and Tag**

WARRANTY— All Morrison products are thoroughly tested before shipment and meet all applicable performance standards and specifications of related ARB executive orders and vapor recovery procedures of CP-206 (Certification Procedure for Vapor Recovery Systems at Gasoline Dispensing Facilities Using Aboveground Storage Tanks) or CP-201 (Certification Procedure for Vapor Recovery Systems at Dispensing Facilities). This warranty shall include the ongoing compliance with all applicable performance standards and specifications for the duration of the warranty. Only material found to be defective in manufacture will be repaired or replaced. Claims must be made within one year from the date of installation, and Morrison Bros. Co. will not allow claims for labor or consequential damage resulting from purchase, installation or misapplication of the product. This warranty will include the initial purchaser and any subsequent purchasers of the initial equipment within the warranty period. This warranty registration must remain with the equipment and be provided to the end user. If a warranty claim needs to be pursued, a copy of this information and the invoice of these products to the purchaser must be supplied to Morrison for verification.

Installation Date: \_\_\_\_\_  
Name Of Installer/Contractor \_\_\_\_\_  
Installation Company: Name \_\_\_\_\_  
Address \_\_\_\_\_  
City \_\_\_\_\_ State \_\_\_\_\_ Zip \_\_\_\_\_  
Business At Installation Site: Name \_\_\_\_\_  
Address \_\_\_\_\_  
City \_\_\_\_\_ State \_\_\_\_\_ Zip \_\_\_\_\_  
Morrison Product(s) I.D Numbers With Date Of Manufacture \_\_\_\_\_  
\_\_\_\_\_  
\_\_\_\_\_  
\_\_\_\_\_

Date of manufacture can be found on the product identification label applied to the finished product. This warranty registration must remain with the equipment and be provided to the end user. If a warranty claim needs to be pursued, a copy of this information and the invoice of these products to the purchaser must be supplied to Morrison for verification.

**OPW STANDARD PRODUCT WARRANTY TAG**

Notice: FlexWorks by OPW, Inc., VAPORSAVER™ and all other OPW products must be used in compliance with all applicable federal, state, provincial and local laws, rules and regulations. Product selection is the sole responsibility of the customer and/or its agents and must be based on physical specifications and limitations, compatibility with the environment and material to be handled. All illustrations and specifications in this literature are based on the latest production information available at the time of publication. Prices, materials and specifications are subject to change at any time, and models may be discontinued at any time, in either case, without notice or obligation.

OPW warrants solely to its customer (the initial purchaser and any subsequent purchasers within the warranty period) that the following products sold by OPW will be free from defects in materials and workmanship under normal use and conditions for the periods indicated:

PRODUCT	WARRANTY PERIOD
FlexWorks Primary Pipe	10 years from date of manufacture
All Products and replacement parts installed in the State of California Certified to California CP-201 and/or CP-206 Standards*	1 year from date of installation (proof of purchase from certified contractors/technicians required) OPW warrants ongoing compliance with the standards and specifications for the duration of the warranty period required by the State of California; this limited warranty is under the condition the equipment was installed and maintained by trained and certified contractors/technicians unless noted in Installation Manual
All other Products and replacement parts	1 year from date of manufacture**
*Products certified to California CP-201 and/or CP-206 Standards have been factory tested and met all applicable performance standards and specifications and will have an OPW registration card enclosed/attached to the product	

OPW's exclusive obligation under this limited warranty is, at its option, to repair, replace or issue credit (in an amount not to exceed the list price for the product) for future orders for any product that may prove defective within the applicable warranty period. (Parts repaired or replaced under warranty are subject to prorated warranty coverage for remainder of the original warranty period). Complete and proper warranty claim documentation and proof of purchase required. All warranty claims must be made in writing and delivered during the applicable warranty period to OPW at OPW 9393 Princeton-Glendale Road Hamilton, Ohio, USA 45011, Attention: Customer Service Manager. No products may be returned to OPW without its prior written authority. This limited warranty shall not apply to any FlexWorks or VAPORSAVER™ product unless it is installed by an OPW attested installer and all required site and warranty registration forms are completed and received by OPW within 60 days of installation. This limited warranty also shall not apply to any FlexWorks, VAPORSAVER™ or other OPW product: unless all piping connections are installed with a nationally-recognized or state-approved leak detection device in each tank and dispenser sump (which are not for storage and from which all discharge hydrocARBons must be removed, and the systems completely cleaned, within 24 hours); unless testable sumps utilize FlexWorks pipe and access fittings; unless a sump inspection log or an EPA recommended/required checklist is maintained and the results are furnished to OPW upon request; and unless OPW is notified within 24 hours of any known or suspected product failure and is provided with unrestricted access to the product and the site. This limited warranty also shall not apply to any product which has been altered in any way, which has been repaired by anyone other than a service representative authorized by OPW, or when failure or defect is due to: improper installation or maintenance (including, without limitation, failure to follow FlexWorks Quick Reference Manual Installation Guide and all product warning labels); abuse or misuse; violation of health or safety requirements; use of another manufacturer's, or otherwise unauthorized, substances or components; soil or other surface or subsurface conditions; or fire, flood, storm, lightning, earthquake, accident or any other conditions, events or circumstances beyond OPW's control.



THIS LIMITED WARRANTY IS IN LIEU OF ALL OTHER WARRANTIES, EXPRESS OR IMPLIED, AND ALL OTHER WARRANTIES INCLUDING, WITHOUT LIMITATION, THE WARRANTIES OF MERCHANTABILITY AND FITNESS FOR A PARTICULAR PURPOSE, ARE HEREBY EXCLUDED.

OPW shall have no other liability whatsoever, whether based on breach of contract, negligence, gross negligence, strict liability or any other claim, including, without limitation, for special, incidental, consequential or exemplary damages or for the cost of labor, freight, excavation, clean-up, downtime, removal, reinstallation, loss of profit, or any other cost or charges. No person or entity is authorized to assume on behalf of OPW any liability beyond this limited warranty. This limited warranty is not assignable.

\*\* Date of manufacture on this product is located (*location will be specific to each component*)



North America Toll Free - TELEPHONE: (800) 422-2525 - Fax: (800) 421-3297 - Email: domestic@opw-fc.com

9393 Princeton-Glendale Road  
Hamilton, Ohio 45011

International - TELEPHONE: (513) 870-3315 or (513) 870-3261 -  
Fax: (513) 870-3157 - Email: intl@opw-fc.com  
www.opwglobal.com

### **Comp X TANK Commander Warranty Statement and Tag**

Seller warrants to the initial and subsequent purchasers, for a period of one year from date of installation, that the Products sold hereunder will, at the time of delivery: (a) comply with the CARB CP-201 standards and specifications for the duration of the warranty period for such Products in effect at the time of shipment or such other specifications as are expressly agreed upon by Seller and Buyer in writing; (b) be adequately contained, packaged, and labeled; and (c) conform to any promises and affirmations of fact made on the container and label. In the event that any such Products fail to conform to the foregoing warranty, Seller will, at its option, repair or replace such nonconforming Products, or credit Buyer for an amount not to exceed the original sales price of such Products. Shipping costs incurred in returning such nonconforming Products to Seller shall be borne by Seller, but Seller shall in no event be liable for any inspection, handling, or packaging costs incurred by Buyer in connection with such Products. Buyer's negligence, misuse, improper installation, or unauthorized repair or alteration, shall void this warranty. The TANK Commander Warranty tag is located on the inside cover of the product.

#### **Warranty Tag**

TANK Commander TC-1

1 year warranty from date of installation

Date of manufacture \_ / \_ / \_

The CompX TANK Commander product was factory tested and meets the standards and specifications to which it was certified by the California Air Resources Board (CARB) as indicated in the related CARB Phase I EVR Executive Orders.

### **Husky Corporation Warranty Statement and Tag**

VAPOR PRODUCTS – Husky Corporation will, at its option, repair, replace, or credit the purchase price of any Husky manufactured product which proves upon examination by Husky, to be defective in material and/or workmanship for a period of one (1) year of installation or fifteen (15) months from the manufacture date of shipment by Husky, whichever occurs first. The warranty period on repaired or replacement vapor recovery products is only for the remainder of the warranty period of the defective product.

EVR PRODUCTS – With respect to EVR products installed in California, for a period of one (1) year from the date of installation, Husky warrants that the product will be free from defects in materials and workmanship (if the installation date is in question or indeterminable, Husky will warrant the product for 12 months from sale by Husky). Husky confirms that the warranty is transferable to a subsequent purchaser within the warranty period. However, the warranty does not follow the product from its initial installation location to succeeding locations. Husky confirms these products are warranted to meet the performance standards and specifications to which it was certified by CCARB for the duration of the warranty. EVR products must be installed per CCARB Executive Order and must follow the Husky Installation Instructions or the warranty is void. The warranty tag included with the EVR product must be provided to the end user at installation. A completed warranty tag and installation documentation is required to be returned with the product to be eligible for warranty consideration.

CONVENTIONAL PRODUCTS – Husky Corporation will, at its option, repair, replace, or credit the purchase price of any Husky manufactured product which proves upon examination by Husky, to be defective in material and/or workmanship for a period of one (1) year from the manufacture date of shipment by Husky.

Buyer must return the products to Husky, transportation charges prepaid. This Warranty excludes the replaceable bellows, bellows spring assembly, spout assembly and scuff guard, unless (i) damage is obvious when the product is removed from shipping carton and (ii) the defective product is returned to Husky prior to use. This warranty does not apply to equipment or parts which have been installed improperly, damaged by misuse, improper operation or maintenance, or which are altered or repaired in any way.

The warranty provisions contained herein apply only to original purchasers who use the equipment for commercial or industrial purposes. There are no other warranties of merchantability, fitness for a particular purpose, or otherwise, and any other such warranties are hereby specifically disclaimed.

Husky assumes no liability for labor charges or other costs incurred by Buyer incidental to the service, adjustment, repair, return, removal or replacement of products. Husky assumes no liability for any incidental, consequential, or other damages under any warranty, express or implied, and all such liability is hereby expressly excluded.

Husky reserves the right to change or improve the design of any Husky fuel dispensing equipment without assuming any obligations to modify any fuel dispensing equipment previously manufactured.



# WARRANTY TAG

Husky Corporation  
2325 Husky Way  
Pacific, Mo 63069  
(800) 325-3558

Husky  
General Fueling Products:

Station Name: \_\_\_\_\_

Store #: \_\_\_\_\_ Date: \_\_\_\_\_

City: \_\_\_\_\_ State: \_\_\_\_\_

Service Contractor: \_\_\_\_\_

Service Tech: \_\_\_\_\_

Distributor: \_\_\_\_\_

*No warranty accepted without warranty tag filled out completely and attached to product.*

Model #: \_\_\_\_\_

Serial #: \_\_\_\_\_

Installation Date: \_\_\_\_\_

Manufacturer Lot #: \_\_\_\_\_

Work order # (if applicable): \_\_\_\_\_

RGA #: \_\_\_\_\_

Form #009179-6 03/2013

FRONT VIEW

**FOR REFERENCE ONLY**

Reason for Return (check all applicable):

- Leaking Fuel Around Spout
- Leaking Fuel In Trigger Area
- Keeps Shutting Off
- Will Not Shut Off
- Failed Pressure Decay Test
- Leaking Fuel at Hose Inlet
- Mechanical Malfunction
- Dispenses Fuel Without Pulling Lever

Notes / Comments: \_\_\_\_\_

EVR products installed in California are warranted for 1 year from the date of installation. Manufacturing data can be found on the product data tag attached to the product. Husky confirms the product was tested at the factory and met all applicable performance standards in CP-201 including Pressure Setting: 2.5-6.0 in W.C., Vacuum Setting: 6.0 - 10.0 in W.C. and Leak Rate: 0.05 CFH @ +2.0 in W.C. and 0.21 CFH @ -4.0 in W.C. Please provide installation documentation such as a purchase order, an invoice or a receipt at time of claim.

BACK VIEW

### Veeder-Root Warranty Statement and Tag

This warranty applies only when the product is installed in accordance with Veeder-Root's specifications. This warranty will not apply to any product which has been subjected to misuse, negligence, accidents, systems that are misapplied or are not installed per Veeder-Root specifications, modified or repaired by unauthorized persons, or damage related to acts of God. Veeder-Root is not liable for incidental, consequential, or indirect damages or loss, including, without limitation, personal injury, death, property damage, environmental damages, cost of labor, clean-up, downtime, installation and removal, product damages, loss of product, or loss of revenue or profits. This warranty applies to the initial purchaser and any subsequent purchaser for the duration of the warranty period. **THE WARRANTY CONTAINED HEREIN IS EXCLUSIVE AND THERE ARE NO OTHER EXPRESS, IMPLIED, OR STATUTORY WARRANTIES. WARRANTIES OF MERCHANTABILITY OR FITNESS FOR A PARTICULAR PURPOSE ARE EXPRESSLY EXCLUDED.**

### CAP AND RING ADAPTOR

We warrant that this product shall be free from defects in material and workmanship and is compliant with all applicable performance standards and specifications for which it has been certified, for a period of one (1) year from the date of installation. During the warranty period, we or our representative will repair or replace the product, if determined by us to be defective, at the location where the product is in use and at no charge to the purchaser.

### Warranty Card Language

#### EQUIPMENT WARRANTY

Veeder-Root warrants that this product shall be free from defects in material and workmanship and is compliant with all applicable performance standards and specifications for which it has been certified, for a period of one (1) year from date of installation.

Date of manufacture:

This component was tested at the time of manufacture and meets all the applicable performance standards and specification to which it was certified: EO VR-101 and EO VR-102.

For detailed warranty terms see EO VR101 or EO VR-102 warranty exhibits on the CARB Web site at <http://www.CARB.ca.gov/vapor/eo-evrphase1.htm>

## **McGard Warranty Statement and Tag**

McGard Fuel Locks are fully tested at the time of manufacture to meet the applicable performance standards and specifications to which it was certified by the California Air Resource Board (CCARB) for the duration of the warranty period, as indicated in the related CCARB Executive Order (EO). Performance standards and specifications are listed in Exhibit 2 (System/Compliance Specifications) and Exhibit 3 (Manufacturing Performance Standards) in the related CCARB EO.

McGard warrants that McGard Fuel Lock products installed in California will conform to the warranty terms and conditions required by the California Certification Procedure for Vapor Recovery Systems at Gasoline Dispensing Facilities (CP-201) with respect to (a) transferability of warranties for McGard Fuel Locks, (b) design changes to McGard Fuel Locks, (c) performance specifications of the McGard Fuel Locks, and (d) duration of the warranty period of McGard Fuel Locks.

McGard Fuel Locks are warranted to the initial purchaser, and any subsequent purchaser within the warranty period, for workmanship, performance, and materials when properly installed, used and maintained in accordance with the CCARB Approved Installation, Operation, and Maintenance Manuals by certified technicians as defined in the related CCARB EO and to generally accepted industry standards.

McGard reserves the right to make changes in the design or to make additions or improvements with respect to McGard Fuel Locks without incurring any obligation to modify or install same on previously manufactured products, upon written approval from CCARB.

McGard reserves the right to change or cancel all or any part of this limited warranty, upon written approval from CCARB. Any such change or cancellation will be effective for products sold by McGard after the date of such change or cancellation. No agents, distributors, dealers, or employees of McGard are authorized to make modifications to this warranty or to make additional warranties with respect to any McGard Fuel Locks. Accordingly, any statements made by individuals, whether oral or written, shall not constitute a warranty of McGard and shall not be relied upon.

McGard warrants the workmanship and materials of McGard Fuel Locks to be free of defects, at the time of sale by McGard, for a period of one year (12 months) from the date of installation. When warranty for McGard Fuel Locks cannot be verified to date of installation, claims will be honored for a period of fifteen (15) months from the date of purchase. When warranty for McGard Fuel Locks cannot be verified to date of installation or date of purchase, claims will be honored for a period of eighteen (18) months from date of manufacture by McGard (date of manufacture is engraved on side of lock body). In all cases, installation date or purchase date will require providing formal documentation to McGard as evidence of applicable warranty coverage or date of manufacture will be used to determine duration of warranty period. Formal documentation may include, but is not limited to McGard authorized service company

and distributor work orders, startup/installation documentation, maintenance logs, and/or sales receipts.

McGard shall not be liable for any loss or damage whatsoever, including, without limitation, loss in profits, loss in sales, loss of fuel or other products, loss of use of equipment, facilities or service, costs of environmental remediation, diminution in property value, or any other special, incidental or consequential damages of any type or nature, and all such losses or damages are hereby disclaimed and excluded from this limited warranty.

Use of non-McGard replacement parts, the unauthorized addition of non-McGard items to McGard Fuel Locks, and the unauthorized alteration of McGard Fuel Locks will void warranty. McGard shall, as to each defect, be relieved of all obligations and liabilities under a components warranty if the McGard Fuel Locks have been operated with any accessory, equipment, or a part not specifically approved by McGard and not manufactured by McGard to McGard design and specifications.

McGard Fuel Lock warranty shall not apply to any products which have been mishandled, incorrectly installed or applied, altered in any way, which has been repaired by any party other than qualified technicians, or when such failure is due to misuse or conditions of use (such as, but not limited to, blown fuses, sheared breakaway screws, corrosion damage, negligence, accidents, or normal wear of plastic/rubber parts including scuff guards and seals). McGard Fuel Lock warranty shall not apply to vandalism, theft, acts of terrorism, acts of war, or acts of God (such as, but not limited to, fire, flood, earthquake, or explosion). Unless otherwise expressly provided in a specific McGard written warranty, McGard does not provide coverage for labor or shipping charges, shall not be liable for any costs or charges attributable to any product testing, maintenance, installation, repair or removal, or any tools, supplies, or equipment need to install, repair, or remove any McGard Fuel Lock.

Other than those McGard Fuel Locks specifically designated for fuel concentrations of 85% ethanol with 15% gasoline (E85), McGard Fuel Lock product warranty shall not cover any components that have been in contact with fuel concentrations greater than 15% ethanol or 15% methanol by volume (up to E15/M15).

Claims for McGard Fuel Lock warranty must be submitted in writing promptly after discovery of a defect with a Returned Goods Authorization (RGA) Number from McGard. McGard will honor warranty claims processed through McGard authorized service companies and distributors only. McGard will honor warranty claims submitted no more than thirty (30) days after the end of the applicable warranty period. Product returned for warranty inspection must be shipped freight prepaid to McGard's facilities, with the RGA Number indicated on the returned product, to the following address for inspection:

McGard LLC, ATTN: Warranty Department, 3875 California Road, Orchard Park, NY 14127 USA

McGard, upon inspection and after determination of a warranty defect, will at its option, repair or replace defective parts returned to McGard's facility or where the product is in use. Repaired or replaced parts will be returned freight prepaid by McGard.

A copy of this limited warranty is to be retained with the equipment, on-site with the facility owner/operator.

Component Model Number:

\_\_\_\_\_

Component Date of Manufacturer:

\_\_\_\_\_

Component Install Date:

\_\_\_\_\_

Facility Name:

\_\_\_\_\_

Facility Address:

\_\_\_\_\_

Installer Name:

\_\_\_\_\_

Installer Signature:

\_\_\_\_\_

# CUSTOMER COPY

**To be left at gasoline dispensing facility (GDF)  
at time of installation**

Manufacturing Date:

**(SEE BOX LABEL)**

Serial Number: (Fill in at time of installation)

## VST Warranty Statement

This limited warranty is given by Vapor Systems Technologies, Inc. (hereinafter VST) to the initial purchaser, and any subsequent purchasers of new equipment, within the warranty period of products manufactured by VST. VST products:

- Are factory tested and meet all applicable performance standards and specifications.
- Should be used in compliance with all applicable federal, state, and local laws and regulations to which they were certified.
- Are warranted to be free from defect in material and workmanship with ongoing compliance to all applicable performance standards and specifications under normal use, service, proper installation, inspections, and maintenance practices per manufacturer specifications.

VST warrants the materials and workmanship to be free from defects in accordance with the following provisions:

1. This warranty does not apply to any products that have:
  - Been subject to misuse, abuse, tampering, negligence, accident, or drive off.
  - Been misapplied, improperly installed, or not installed per VST's instructions and specifications.
  - Been modified, altered, rebuilt or repaired by unauthorized persons or outside the criteria of VST specifications.
  - Been improperly maintained and/or improperly inspected in accordance with the system's or product's periodic maintenance schedule, and any inspection and/or maintenance requirements imposed by the State or any government agency.
  - Been exposed to contact with fuels containing greater than 5% methanol, 10% ethanol, or 15% MTBE by volume or any exposure to M85/E85 fuel, unless the product is rated for that type of fuel.
  - Been subject to damage resulting from acts of God.
2. This warranty does not cover and VST is not responsible or liable for:
  - Incidental, consequential and/or indirect damages or loss including, but not limited to, personal injury, death, property damage, environmental damage, cost of labor, clean-up, downtime, installation and removal, product damage, and loss of product, revenue or profits.
  - Any claims or lawsuits against the purchaser and/or distributor.
  - Labor or materials necessary to disconnect or connect the warranted product for return to VST.

VST products used on systems that have not been listed by a nationally recognized testing laboratory (NRTL) or use that falls outside intended field of use voids all warranties.

The duration of this warranty is TWELVE (12) MONTHS from the time of installation provided timely valid proof of installation is submitted to VST. Valid proof of installation options include, but are not limited to:

- VST Product Warranty Registration Card is properly completed and returned to VST at time of installation and within (6) SIX MONTHS from the date of manufacture.

OR



- In lieu of a legitimate, completed and returned VST Product Warranty Registration Card within the first (6) SIX MONTHS from the date of manufacture, VST requires the following:
  1. A completed gasoline dispensing facility (GDF) monthly maintenance log from the month in which the VST equipment was installed and documented, **AND**
  2. One of the following documents that may be used as a reference installation date:
    - A valid distributor invoice
    - A valid contractor invoice

**The above options must be clearly marked with:**

- All VST product serial numbers
- Product sale date and/or installation date
- Purchaser name, address, and phone number

If valid proof of installation is not received by VST, as noted above, the warranty period is TWELVE (12) MONTHS from the VST date of manufacture.

In the event of a warranty claim:

- The purchaser/distributor must obtain a copy of a Return Goods Authorization (RGA) from VST prior to returning product so as to ensure proper processing. All warranty claim returns must be shipped freight prepaid by the purchaser and/or distributor.
- Warranty status will be determined upon inspection at VST's facility within THIRTY (30) DAYS of receipt by VST of the warranted products. All returned merchandise deemed Not Under Warranty; will be held by VST for SEVEN (7) BUSINESS DAYS prior to disposal. Return of this product to the purchaser/distributor will require purchaser/distributor to issue a call tag within SEVEN (7) BUSINESS DAYS of notification.
- Repair or replacement of the warranted product is the **EXCLUSIVE REMEDY** under the terms of this warranty. No other warranty exists.

VST, as to each defect, shall be relieved of all obligations and liabilities under this Limited Warranty if the products have been operated with any accessory, equipment, or a part not specifically approved by VST and the appropriate governing regulatory agencies.

**THIS LIMITED WARRANTY IS EXCLUSIVE AND IS IN LIEU OF ALL OTHER WARRANTIES. VST MAKES NO OTHER WARRANTIES (WHETHER WRITTEN OR ORAL), EXPRESS OR IMPLIED, INCLUDING BUT NOT LIMITED TO ANY IMPLIED WARRANTY OF MERCHANTABILITY, FITNESS FOR A PARTICULAR PURPOSE, OR OTHERWISE, AND ANY OTHER SUCH WARRANTIES ARE HEREBY DISCLAIMED.**

**VST NEITHER ASSUMES NOR AUTHORIZES ANY OTHER PERSON OR ENTITY TO ASSUME FOR IT OR BIND IT TO ANY OTHER LIABILITY OR OBLIGATION RELATED TO OR IN CONNECTION WITH THIS LIMITED WARRANTY.**

VST reserves the right to make changes at any time to prices and designs or make additions or improvements with respect to its products, without incurring any obligation to modify or install same on previously manufactured products.

✂ Cut along dotted lines for both the Return Tag and the Warranty Registration Card

Warranty Registration Card:

- Cut Out
- Fill out completely
- Return to VST for Warranty Registration at time of installation

Product Return Tag:

- Cut Out
- Fill out completely when submitting a Warranty Return Claim
- Include completed form in box with Warranty Return Claim product
- Include RGA paperwork



**P/V Valve Return Tag**

No warranty accepted without tag filled out and attached to product.

ASC Company: \_\_\_\_\_

Site Name: \_\_\_\_\_

ASC Tech Name: \_\_\_\_\_

Site Street Address: \_\_\_\_\_

ASC #: \_\_\_\_\_

Site City, State & Zip: \_\_\_\_\_

Service Date: \_\_\_\_ / \_\_\_\_ / \_\_\_\_

Site Phone #: \_\_\_\_\_

Claim Serial #: \_\_\_\_\_

P/V Valve Type (check one):

(product removed from service)

- VST-EVRPV-100     VST-EVRPV-200

Replacement Serial #: \_\_\_\_\_

**Check reason for return - at least one box below must be checked to be considered for a warranty claim:**

- Connection or thread problem
- Failed cracking pressure/vacuum test ----->
- P/V valve leaking ----->
- TTP port leak
- Other claim - explain (use space to the right) ----->

Specify the failed test result: \_\_\_\_\_

Specify the measured leak rate: \_\_\_\_\_

Please explain any "Other claim" below: \_\_\_\_\_

**This side of tag to be filled in by ASC**



**Vapor Systems Technologies, Inc.**

Phone: (937) 704-9333 • Fax: (937) 704-9443

www.vsthoose.com

**IMPORTANT**

**PRODUCT WARRANTY REGISTRATION CARD**

(FILL OUT WARRANTY REGISTRATION CARD COMPLETELY)

See VST Warranty Statement for complete Warranty details.

A copy of the VST Warranty Statement is included in every product carton.

PRODUCT STYLE:

- HOSE
- NOZZLE
- PROCESSOR
- SAFETY BREAKAWAY
- OTHER

SERIAL NUMBER: \_\_\_\_\_

INSTALLATION DATE: \_\_\_\_\_

INSTALLATION SITE NAME: \_\_\_\_\_

INSTALLATION CITY/STATE/ZIP: \_\_\_\_\_

INSTALLATION SITE PHONE NUMBER: \_\_\_\_\_

DISTRIBUTOR NAME: \_\_\_\_\_



# P/V Valve Return Tag

No warranty accepted without tag filled out and attached to product.

**Distributor Name:** \_\_\_\_\_

**Street Address:** \_\_\_\_\_

**City, State & Zip:** \_\_\_\_\_

**Distributor Phone #:** \_\_\_\_\_

**RG#:** \_\_\_\_\_

### Distributor should check off "all" of the below items for accurate warranty claim processing:

- RGA number is obtained and filled in on this side of tag
- "Claim serial number" is validated (refer to other side of tag)
- "Replacement serial number" is filled in (refer to other side of tag)
- Verify the "reason for return" is filled in (refer to other side of tag)

**Return product to:** Vapor Systems Technologies, Inc.  
 650 Pleasant Valley Drive  
 Springboro, Ohio 45066

**Phone:** 1-888-VST-HOSE  
 1-888-878-4673

**Website:** [www.vsthose.com](http://www.vsthose.com)

9573-001 02/22

**Vapor Systems Technologies, Inc.**  
 650 Pleasant Valley Drive  
 Springboro, Ohio 45066

\_\_\_\_\_

\_\_\_\_\_

\_\_\_\_\_

This side of tag to be filled in by Distributor

✂ Cut along dotted lines for both the Return Tag and the Warranty Registration Card

#### Product Return Tag:

- Cut Out
- Fill out completely when submitting a Warranty Return Claim
- Include completed form in box with Warranty Return Claim product
- Include RGA paperwork

#### Warranty Registration Card:

- Cut Out
- Fill out completely
- Return to VST for Warranty Registration at time of installation

Exhibit 5  
VR-101 Revision X

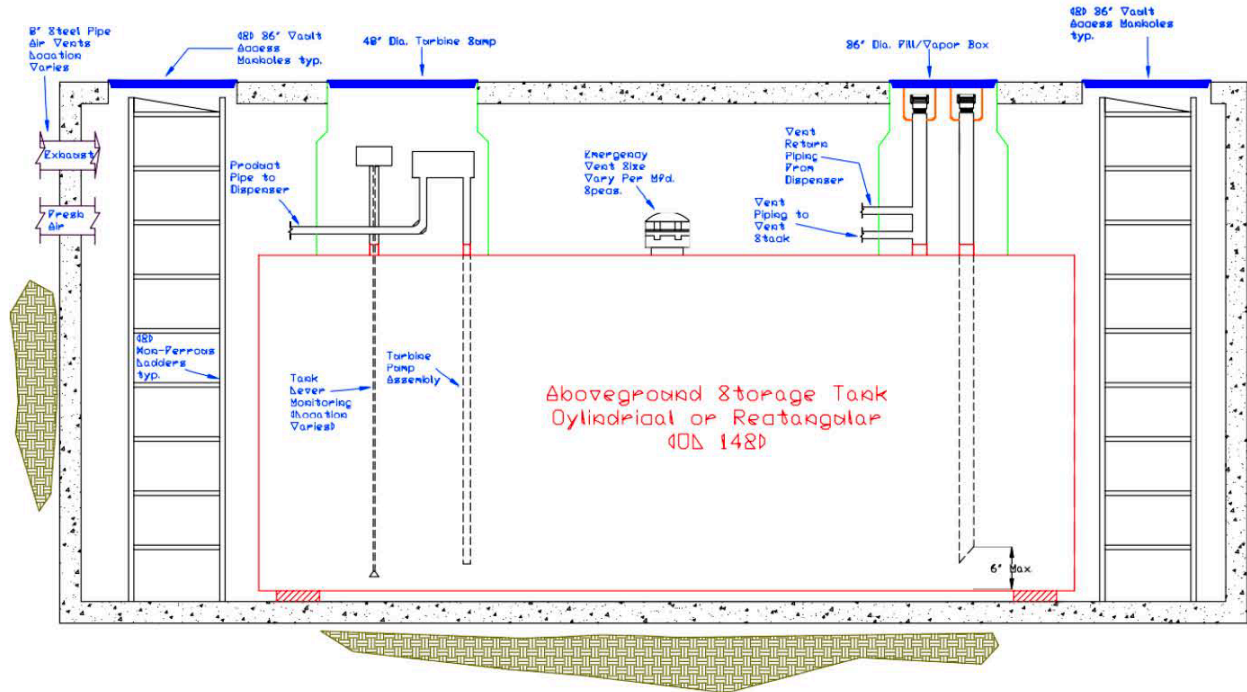
VAULTED ABOVEGROUND STORAGE TANK CONFIGURATION (Optional)

This exhibit allows an alternate tank storage configuration for the Phase I EVR system. A vaulted aboveground storage tank (AST) may be installed in substitute for a conventional underground storage tank (UST). The figures in this exhibit provide examples of typical vaulted AST configurations.

**General Specifications**

Alternate typical vaulted AST configurations for the Phase I EVR Systems are shown in Figures 5-1, 5-2, 5-3, and 5-4.

Unless otherwise specified in this Executive Order (EO), the vaulted AST configuration shall comply with the applicable performance standards and performance specifications in CP-201.



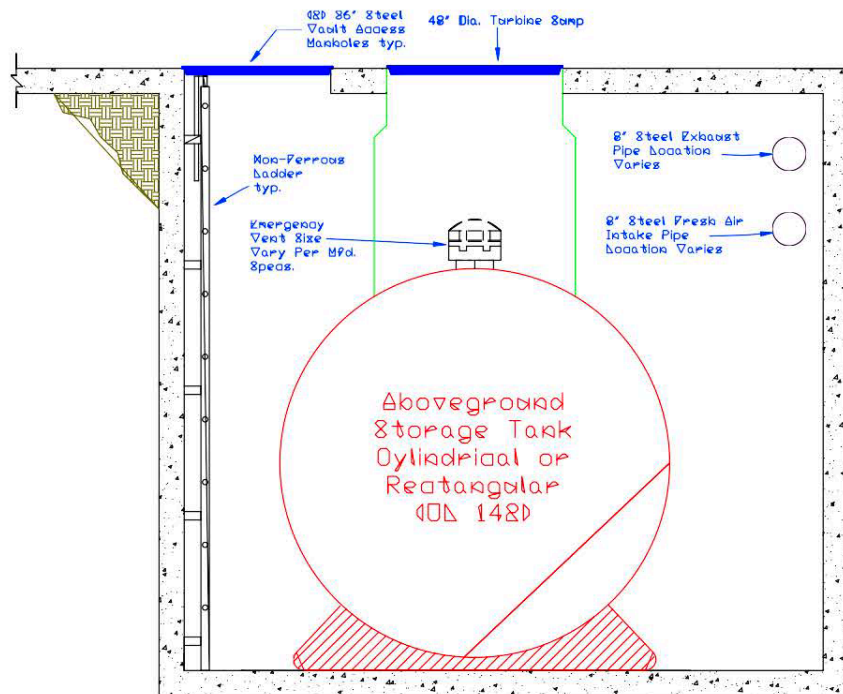
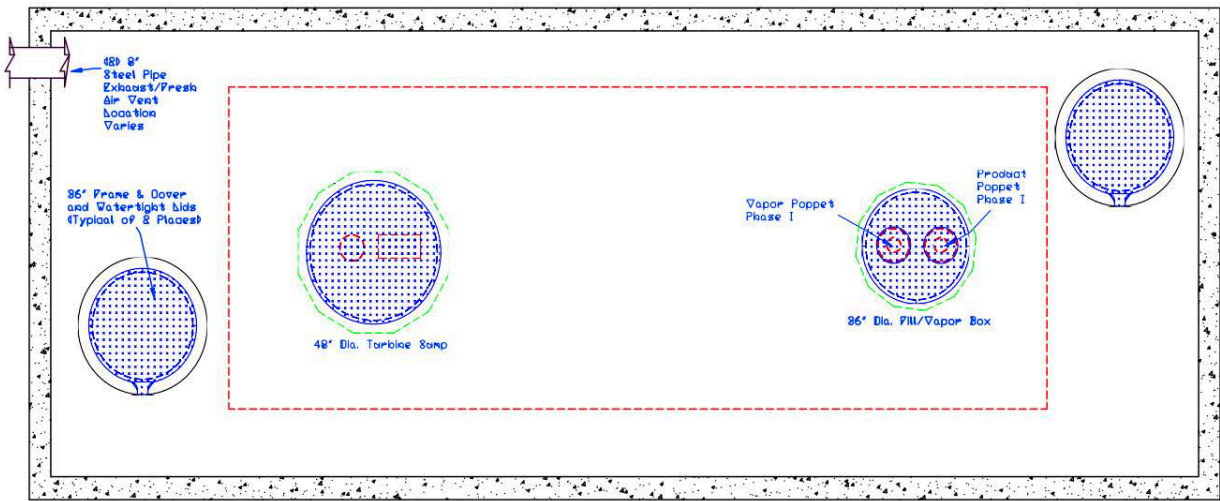


Figure 5-4: Sectional Views of Typical Vaulted AST (Ventilation)

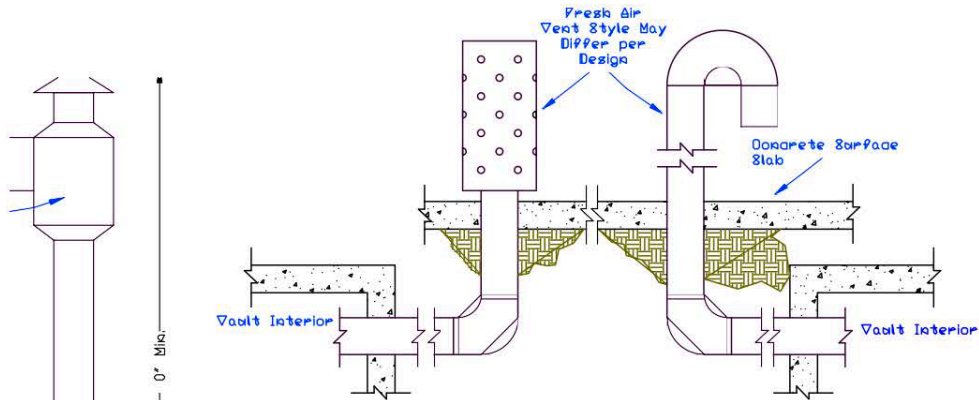


Figure 5-4b: Typical Fresh Air Intake

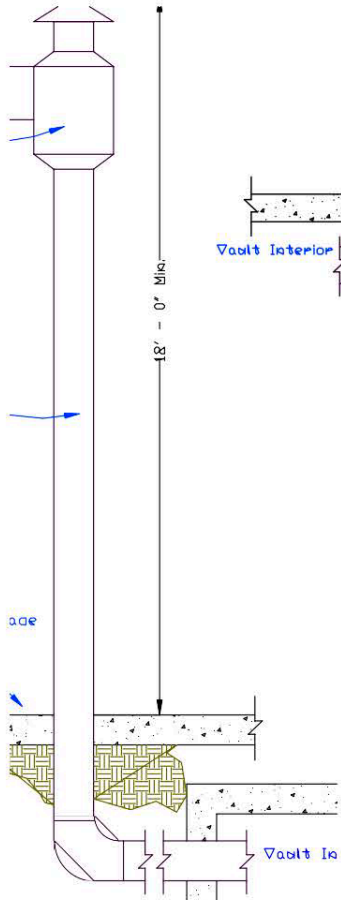


Figure 5-4a: Typical Exhaust